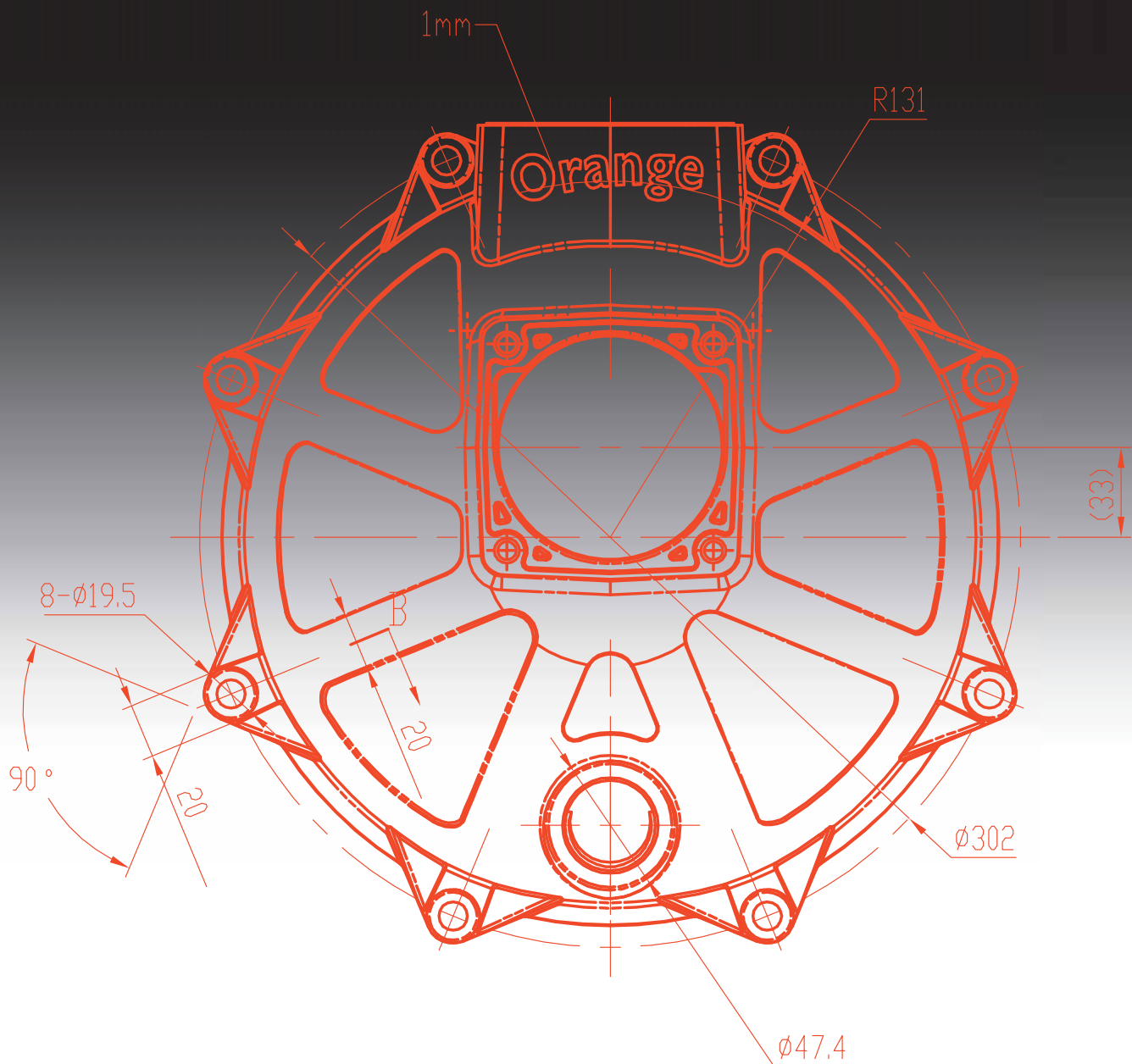


Orange

PUMPS

Spare Parts June 2024



Contents

| PAGE NO. | CONTENTS |
|----------|----------|
|----------|----------|

Pumps & Pressure Systems

| | |
|------|--------------------------------------|
| 1-1 | SJ100 Exploded View |
| 1-2 | SJ100 Price List |
| 1-3 | SJ200 / SJ400 Exploded View |
| 1-4 | SJ200 / SJ400 Price List |
| 1-5 | HJ200 / HJ400 Exploded View |
| 1-6 | HJ200 / HJ400 Price List |
| 1-7 | CP200 / CP400 Exploded View |
| 1-8 | CP200 / CP400 Price List |
| 1-9 | CP400 SL Exploded View |
| 1-10 | CP400 SL Price List |
| 1-11 | MP600 / MP750 / MP1100 Exploded View |
| 1-12 | MP600 / MP750 / MP1100 Price List |
| 1-13 | HT100-PM Exploded View |
| 1-14 | HT100-PM Price List |

Farm & Irrigation

| | |
|------|---------------------------------------|
| 2-1 | HD400 Exploded View |
| 2-2 | HD400 Price List |
| 2-3 | HD33 Kit Exploded View & Price List |
| 2-4 | Shallow Well Cast Injector Price List |
| 2-5 | CJ650 / CJ750 / CJ850 Exploded View |
| 2-6 | CJ650 / CJ750 / CJ850 Price List |
| 2-7 | Deep Well Injector Exploded View |
| 2-8 | Deep Well Injector Price List |
| 2-9 | CP600 / CP700 / CP800 Exploded View |
| 2-10 | CP600 / CP700 / CP800 Price List |
| 2-11 | CP1500 Exploded View |
| 2-12 | CP1500 Price List |
| 2-13 | DM500 / CP710 Exploded View |
| 2-14 | DM500 / CP710 Price List |

Engine Drive Pumps

| | |
|------|-------------------------------------|
| 3-1 | UP Range Exploded View |
| 3-2 | UP Range Price List |
| 3-3 | 3" Volume Pump Exploded View |
| 3-4 | 3" Volume Pump Price List |
| 3-5 | Moulded Chemical Pump Exploded View |
| 3-6 | Moulded Chemical Pump Price List |
| 3-7 | HM200 Exploded View |
| 3-8 | HM200 Price List |
| 3-9 | HP500 Exploded View |
| 3-10 | HP500 Price List |

PAGE NO. CONTENTS**Submersible Pumps**

| | |
|------|---------------------------------------|
| 4-1 | SP100 / SP100M / SP100V Exploded View |
| 4-2 | SP100 / SP100M / SP100V Price List |
| 4-3 | SP140 Exploded View |
| 4-4 | SP140 Price List |
| 4-5 | SP213 / SP213M / SP213V Exploded View |
| 4-6 | SP213 / SP213M / SP213V Price List |
| 4-7 | SP334 / SP334M Exploded View |
| 4-8 | SP334 / SP334M Price List |
| 4-9 | SP420 Exploded View |
| 4-10 | SP420 Price List |
| 4-11 | SF50 Exploded View |
| 4-12 | SF50 Price List |
| 4-13 | SF100 / SF100M Exploded View |
| 4-14 | SF100 / SF100M Price List |
| 4-15 | SP500 / SP600 Exploded View |
| 4-16 | SP500 / SP600 Price List |
| 4-17 | SP617 Exploded View |
| 4-18 | SP617 Price List |
| 4-19 | SP700G Exploded View |
| 4-20 | SP700G Price List |
| 4-21 | SPC700 Exploded View |
| 4-22 | SPC700 Price List |
| 4-23 | SPG-750 Exploded View |
| 4-24 | SPG-750 Price List |
| 4-25 | SPG-1500 / 2200 Exploded View |
| 4-26 | SPG-1500 / 2200 Price List |

Solar

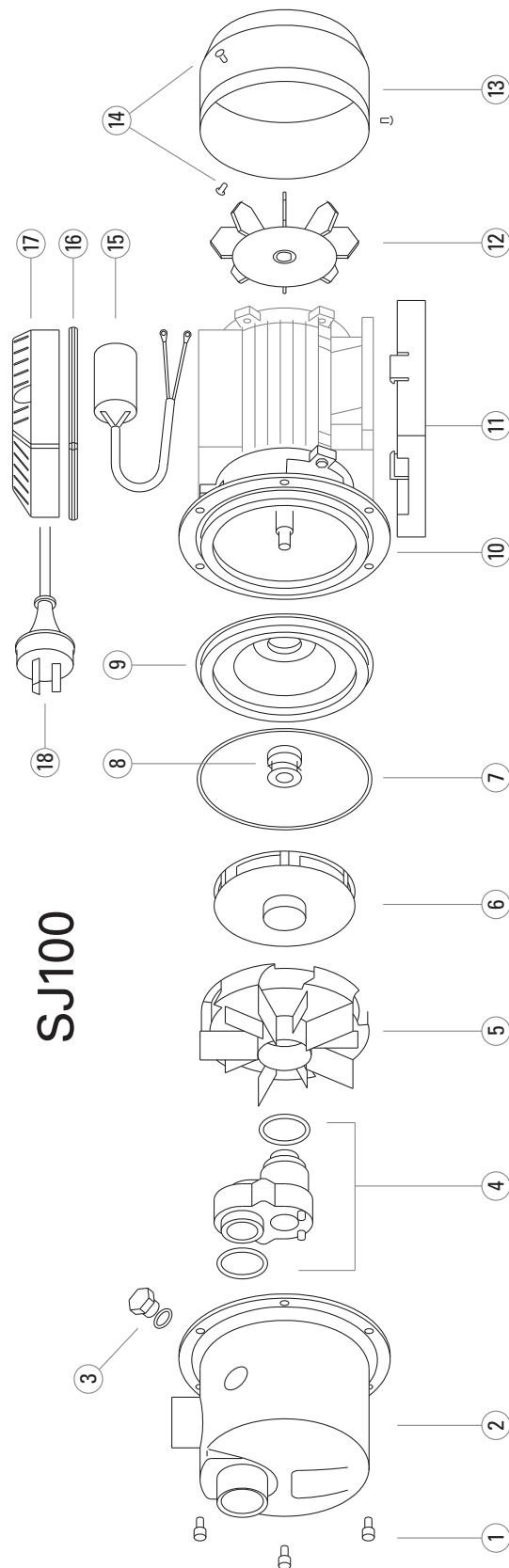
| | |
|-----|--------------------|
| 5-1 | HD50 Exploded View |
| 5-2 | HD50 Price List |

Accessories

| | |
|-----|-----------------|
| 6-1 | VF Price List |
| 6-2 | Warranty Policy |

Pumps & Pressure Systems

SJ100



SJ100



Pumps & Pressure Systems

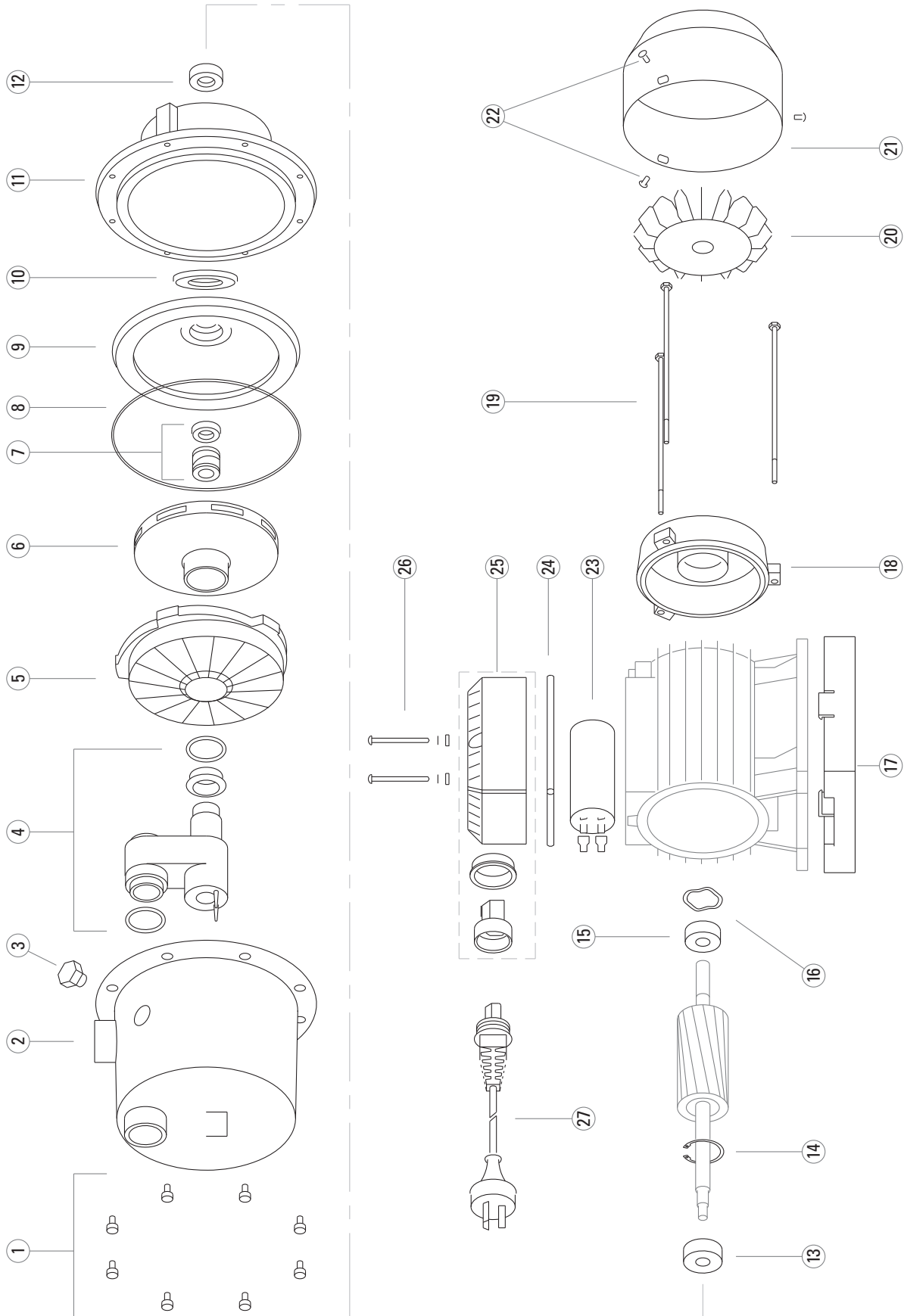
SJ100

| ITEM NO. | PART DESCRIPTION | PART NO. | LIST PRICE |
|----------|---|----------|------------|
| 1 | Screw, S/S (set of 6) | 202511 | \$10.00 |
| 2 | Casing | 200526 | \$90.00 |
| 3 | Plug, ¼" BSP Plastic, & O-ring | 101950 | \$10.00 |
| 4 | Injector Assembly | 110214 | \$30.00 |
| 5 | Diffuser | 110210 | \$40.00 |
| 6 | Impeller | 110218 | \$60.00 |
| 7 | O-ring, Casing | 201818 | \$10.00 |
| 8 | Seal, Mechanical | 200006 | \$40.00 |
| 8 | Seal, Mechanical, Viton | 200304 | \$50.00 |
| 9 | Baffle Plate, S/S | 110226 | \$40.00 |
| 10 | Yoke | 200527 | \$70.00 |
| 11 | Base, Motor | 110228 | \$30.00 |
| | Bearing, 6201 | 200011 | \$35.00 |
| 12 | Fan | 200345 | \$30.00 |
| 13 | Cowl, Fan | 200437 | \$30.00 |
| 14 | Screw, S/S, (set of 3) | 200310 | \$10.00 |
| 15 | Capacitor, 8µF | 200024 | \$45.00 |
| 16 | Gasket, Terminal Cover | 100510 | \$10.00 |
| 17 | Housing, Terminal from serial 0214 | 100524 | \$50.00 |
| 18 | Lead, Power | 100361 | \$30.00 |
| | Motor Assembly, 400W, includes Seal & Casing O-ring | 300001 | \$200.00 |

Add GST to above prices. June 2024 – Category A Discount

Pumps & Pressure Systems

SJ200 / SJ400



SJ200

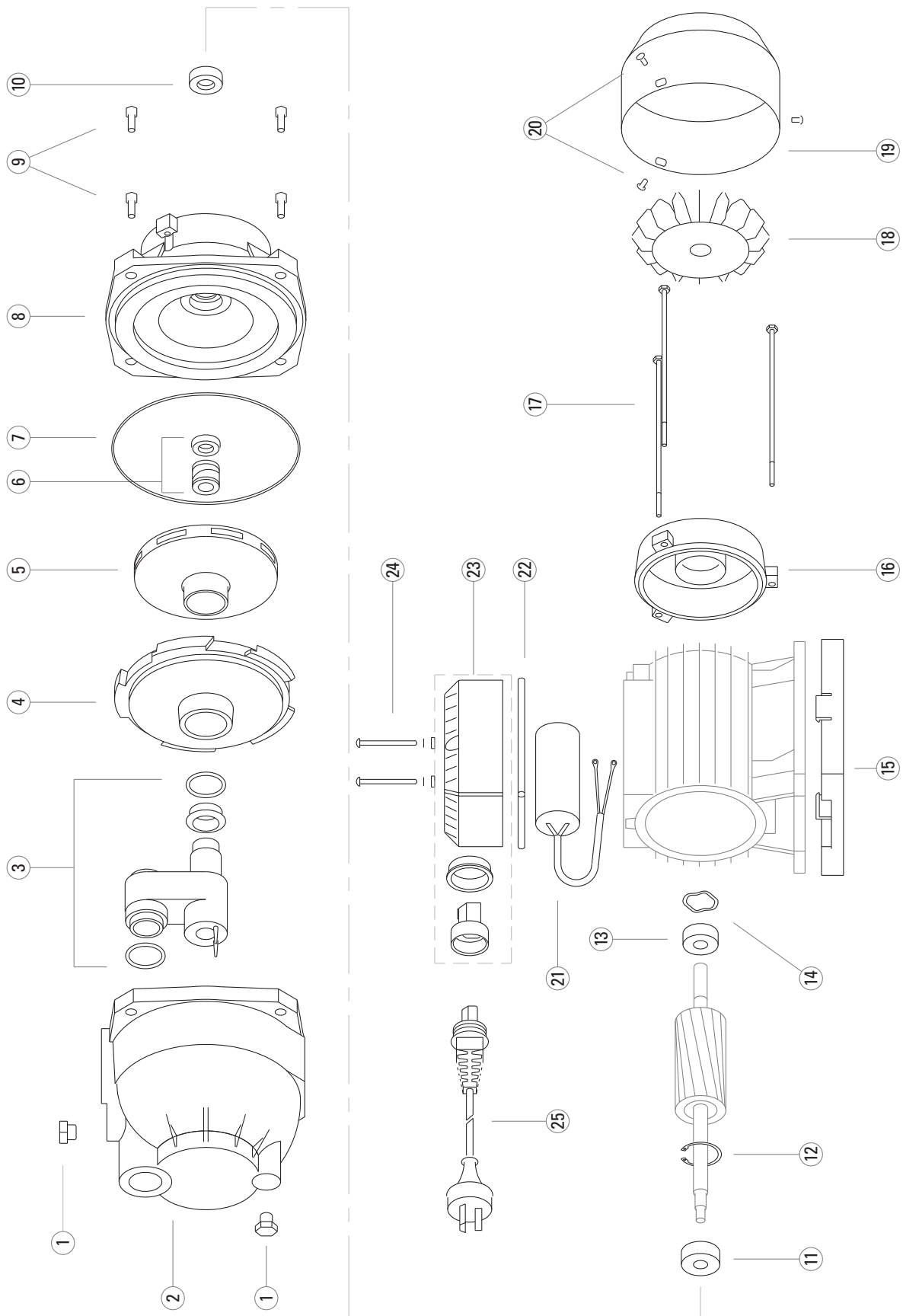
SJ400

| ITEM NO. | PART DESCRIPTION | PART NO. | LIST PRICE | PART NO. | LIST PRICE |
|----------|---|----------|------------|----------|------------|
| 1 | Screw, S/S, (set of 8) | 202611 | \$20.00 | 202611 | \$20.00 |
| 2 | Casing | 200550 | \$120.00 | 200550 | \$120.00 |
| 3 | Plug, ¼" BSP Plastic, & O-ring | 101950 | \$10.00 | 101950 | \$10.00 |
| 4 | Injector Assembly | 101330 | \$40.00 | 100590 | \$40.00 |
| 5 | Diffuser | 102271 | \$50.00 | 102271 | \$50.00 |
| 6 | Impeller | 100561 | \$80.00 | 100561 | \$80.00 |
| 7 | Seal, Mechanical | 200068 | \$40.00 | 200068 | \$40.00 |
| 7 | Seal, Mechanical, Viton | 200302 | \$50.00 | 200302 | \$50.00 |
| 8 | O-ring, Casing | 201259 | \$10.00 | 201259 | \$10.00 |
| 9 | Baffle Plate, S/S | 101232 | \$50.00 | 101232 | \$50.00 |
| 10 | Washer, Baffle Plate | 101234 | \$10.00 | 101234 | \$10.00 |
| 11 | Yoke | 200552 | \$100.00 | 200552 | \$100.00 |
| 12 | Seal, Lip | 200320 | \$10.00 | 200320 | \$10.00 |
| 13 | Bearing, 6203 | 200321 | \$40.00 | 200321 | \$40.00 |
| 14 | Circlip, Bore | 200439 | \$10.00 | 200439 | \$10.00 |
| 15 | Bearing, 6202 | 200039 | \$35.00 | 200039 | \$35.00 |
| 16 | Washer, Wave | 200053 | \$10.00 | 200053 | \$10.00 |
| 17 | Base, Motor | 100652 | \$35.00 | 100652 | \$35.00 |
| 18 | Endshield | 200325 | \$50.00 | 200325 | \$50.00 |
| 19 | Bolt, Thru, (set of 3) | 200349 | \$10.00 | 200349 | \$10.00 |
| 20 | Fan | 200346 | \$30.00 | 200346 | \$30.00 |
| 21 | Cowl, Fan | 200326 | \$40.00 | 200326 | \$40.00 |
| 22 | Screw, S/S, (set of 3) | 200310 | \$10.00 | 200310 | \$10.00 |
| 23 | Capacitor, 16µF | 200392 | \$50.00 | | |
| 23 | Capacitor, 20µF | | | 200052 | \$55.00 |
| 24 | Gasket, Terminal Cover | 100510 | \$10.00 | 100510 | \$10.00 |
| 25 | Cover, Terminal, Assembly | 100524 | \$50.00 | 100524 | \$50.00 |
| 26 | Screw Assembly, (set of 2) | 200311 | \$10.00 | 200311 | \$10.00 |
| 27 | Lead, Power | 100361 | \$30.00 | 100361 | \$30.00 |
| | Motor Assembly, 550W, includes Seal & Casing O-ring | 300002 | \$320.00 | | |
| | Motor Assembly, 750W, includes Seal & Casing O-ring | | | 300004 | \$380.00 |

Add GST to above prices. June 2024 – Category A Discount

Pumps & Pressure Systems

HJ200 / HJ400



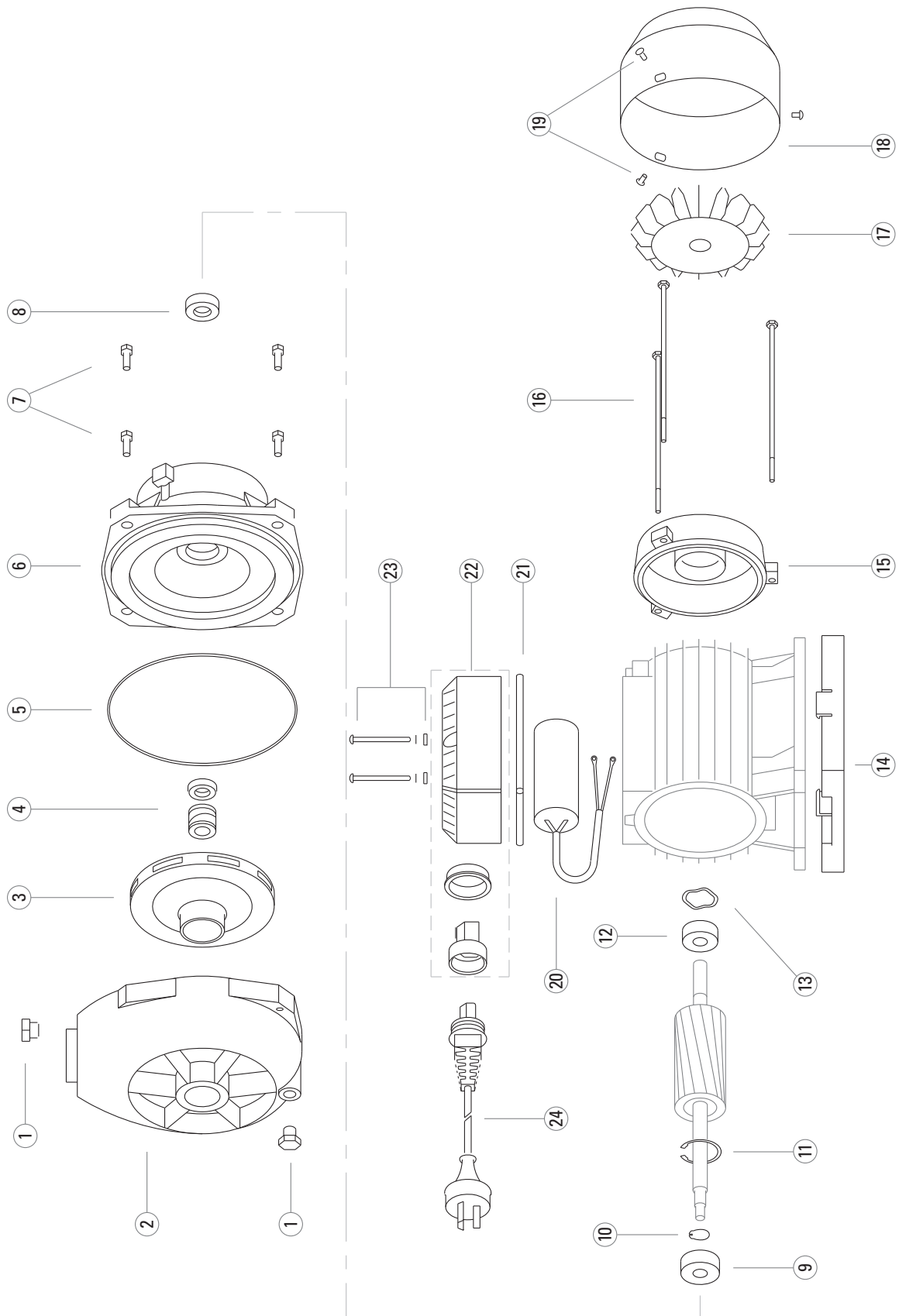
HJ200

HJ400

| ITEM NO. | PART DESCRIPTION | PART NO. | LIST PRICE | PART NO. | LIST PRICE |
|----------|---|----------|------------|----------|------------|
| 1 | Plug, ¼" BSP Plastic, & O-ring | 101950 | \$10.00 | 101950 | \$10.00 |
| 2 | Casing | 100701 | \$120.00 | 100701 | \$120.00 |
| 3 | Injector Assembly | 101330 | \$40.00 | 100590 | \$40.00 |
| 4 | Diffuser | 102270 | \$50.00 | 102270 | \$50.00 |
| 5 | Impeller | 100561 | \$80.00 | 100561 | \$80.00 |
| 6 | Seal, Mechanical | 200068 | \$40.00 | 200068 | \$40.00 |
| 6 | Seal, Mechanical, Viton | 200302 | \$50.00 | 200302 | \$50.00 |
| 7 | O-ring, Casing | 200036 | \$10.00 | 200036 | \$10.00 |
| 8 | Yoke | 100610 | \$100.00 | 100610 | \$100.00 |
| 9 | Screw, Set, S/S (set of 4) | 200348 | \$10.00 | 200348 | \$10.00 |
| 10 | Seal, Lip | 200320 | \$10.00 | 200320 | \$10.00 |
| 11 | Bearing, 6203 | 200321 | \$40.00 | 200321 | \$40.00 |
| 12 | Circlip, Bore | 200439 | \$10.00 | 200439 | \$10.00 |
| 13 | Bearing, 6202 | 200039 | \$35.00 | 200039 | \$35.00 |
| 14 | Washer, Wave | 200053 | \$10.00 | 200053 | \$10.00 |
| 15 | Base, Motor | 100650 | \$35.00 | 100650 | \$35.00 |
| 16 | Endshield | 200325 | \$50.00 | 200325 | \$50.00 |
| 17 | Bolt, Thru (set of 3) | 200349 | \$10.00 | 200349 | \$10.00 |
| 18 | Fan | 200346 | \$30.00 | 200346 | \$30.00 |
| 19 | Cowl, Fan | 200326 | \$40.00 | 200326 | \$40.00 |
| 20 | Screw, S/S (set of 3) | 200310 | \$10.00 | 200310 | \$10.00 |
| 21 | Capacitor, 16µF | 200392 | \$50.00 | | |
| 21 | Capacitor, 20µF | | | 200052 | \$55.00 |
| 22 | Gasket, Terminal Cover | 100510 | \$10.00 | 100510 | \$10.00 |
| 23 | Cover, Terminal, Assembly | 100524 | \$50.00 | 100524 | \$50.00 |
| 24 | Screw Assembly (set of 2) | 200311 | \$10.00 | 200311 | \$10.00 |
| 25 | Lead, Power | 100361 | \$30.00 | 100361 | \$30.00 |
| | Motor Assembly, 550W, includes Seal & Casing O-ring | 300013 | \$320.00 | | |
| | Motor Assembly, 750W, includes Seal & Casing O-ring | | | 300012 | \$380.00 |

Pumps & Pressure Systems

CP200 / CP400



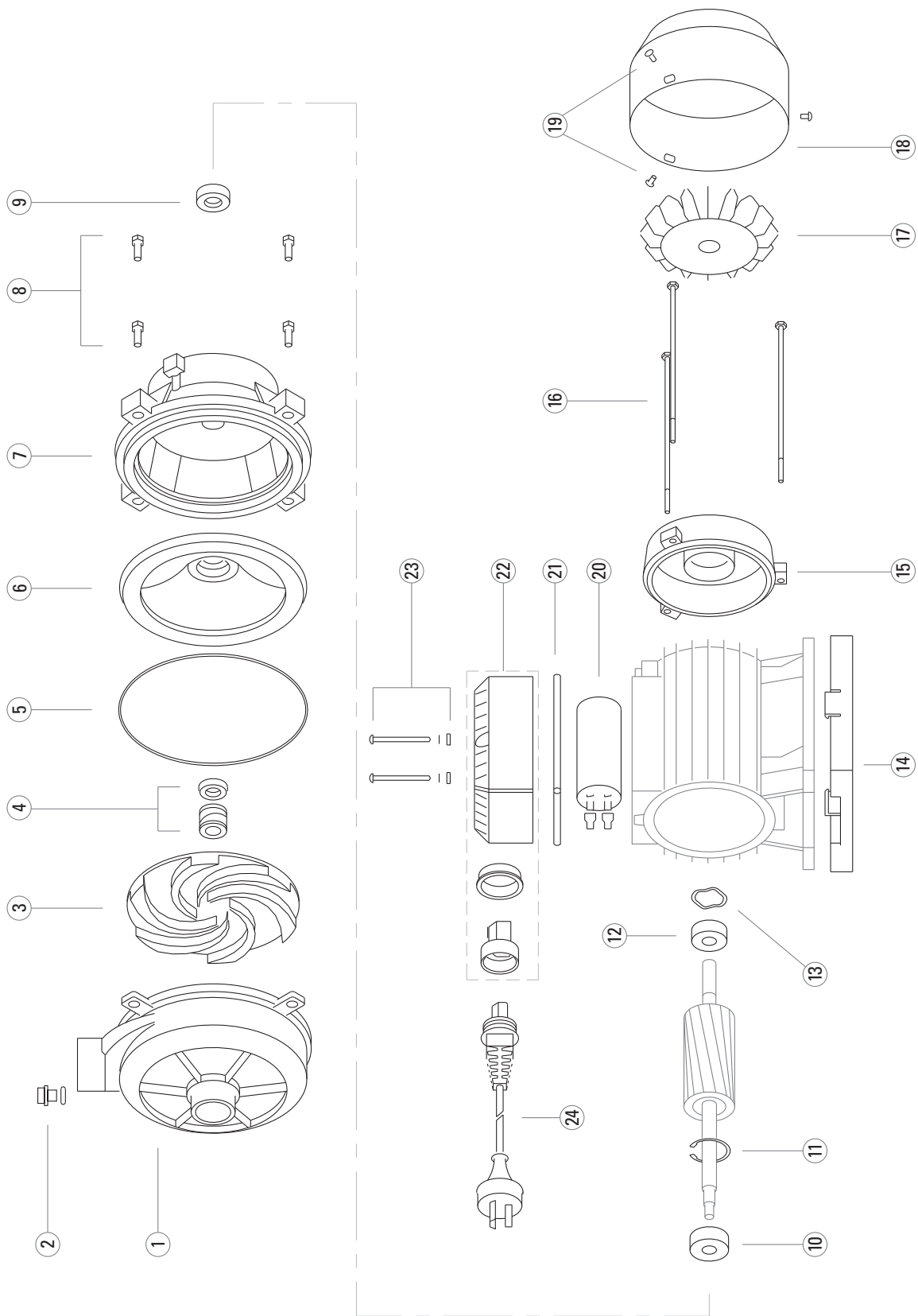
CP200

CP400

| ITEM NO. | PART DESCRIPTION | PART NO. | LIST PRICE | PART NO. | LIST PRICE |
|----------|--|----------|------------|----------|------------|
| 1 | Plug, ¼" BSP Plastic, & O-ring | 101950 | \$10.00 | 101950 | \$10.00 |
| 2 | Casing | 100630 | \$100.00 | 100620 | \$120.00 |
| 3 | Impeller | 100551 | \$70.00 | 100541 | \$80.00 |
| 4 | Seal, Mechanical | 200006 | \$40.00 | 200068 | \$40.00 |
| 4 | Seal, Mechanical, Viton | 200304 | \$50.00 | 200302 | \$50.00 |
| 5 | O-ring, Casing | 200312 | \$10.00 | 200036 | \$10.00 |
| 6 | Yoke | 100670 | \$100.00 | 100610 | \$100.00 |
| 7 | Screw, Set, S/S (set of 4) | 200348 | \$10.00 | 200348 | \$10.00 |
| 8 | Seal, Lip | 200313 | \$10.00 | 200320 | \$10.00 |
| 9 | Bearing, 6202 | 200039 | \$35.00 | | |
| 9 | Bearing, 6203 | | | 200321 | \$40.00 |
| 10 | Circlip, Shaft, S/S | 200069 | \$10.00 | | |
| 11 | Circlip, Bore | 200391 | \$10.00 | 200439 | \$10.00 |
| 12 | Bearing, 6201 | 200011 | \$35.00 | | |
| 12 | Bearing, 6202 | | | 200039 | \$35.00 |
| 13 | Washer, Wave | 200014 | \$10.00 | 200053 | \$10.00 |
| 14 | Base, Motor | 100690 | \$35.00 | 100650 | \$35.00 |
| 15 | Endshield | 200316 | \$50.00 | 200325 | \$50.00 |
| 16 | Bolt, Thru (set of 3) | 200317 | \$10.00 | 200349 | \$10.00 |
| 17 | Fan | 200345 | \$30.00 | 200346 | \$30.00 |
| 18 | Cowl, Fan | 200309 | \$40.00 | 200326 | \$40.00 |
| 19 | Screw, S/S (set of 3) | 200310 | \$10.00 | 200310 | \$10.00 |
| 20 | Capacitor, 16µF | 200392 | \$50.00 | | |
| 20 | Capacitor, 20µF | | | 200052 | \$55.00 |
| 21 | Gasket, Terminal Cover | 100510 | \$10.00 | 100510 | \$10.00 |
| 22 | Cover, Terminal, Assembly | 100524 | \$50.00 | 100524 | \$50.00 |
| 23 | Screw Assembly (set of 2) | 200311 | \$10.00 | 200311 | \$10.00 |
| 24 | Lead, Power | 100361 | \$30.00 | 100361 | \$30.00 |
| | Motor Assembly, 550W, includes Seal & Casing O-ring | 300011 | \$320.00 | | |
| | Motor Assembly, 1000W, includes Seal & Casing O-ring | | | 300012 | \$380.00 |

Pumps & Pressure Systems

CP400-SL

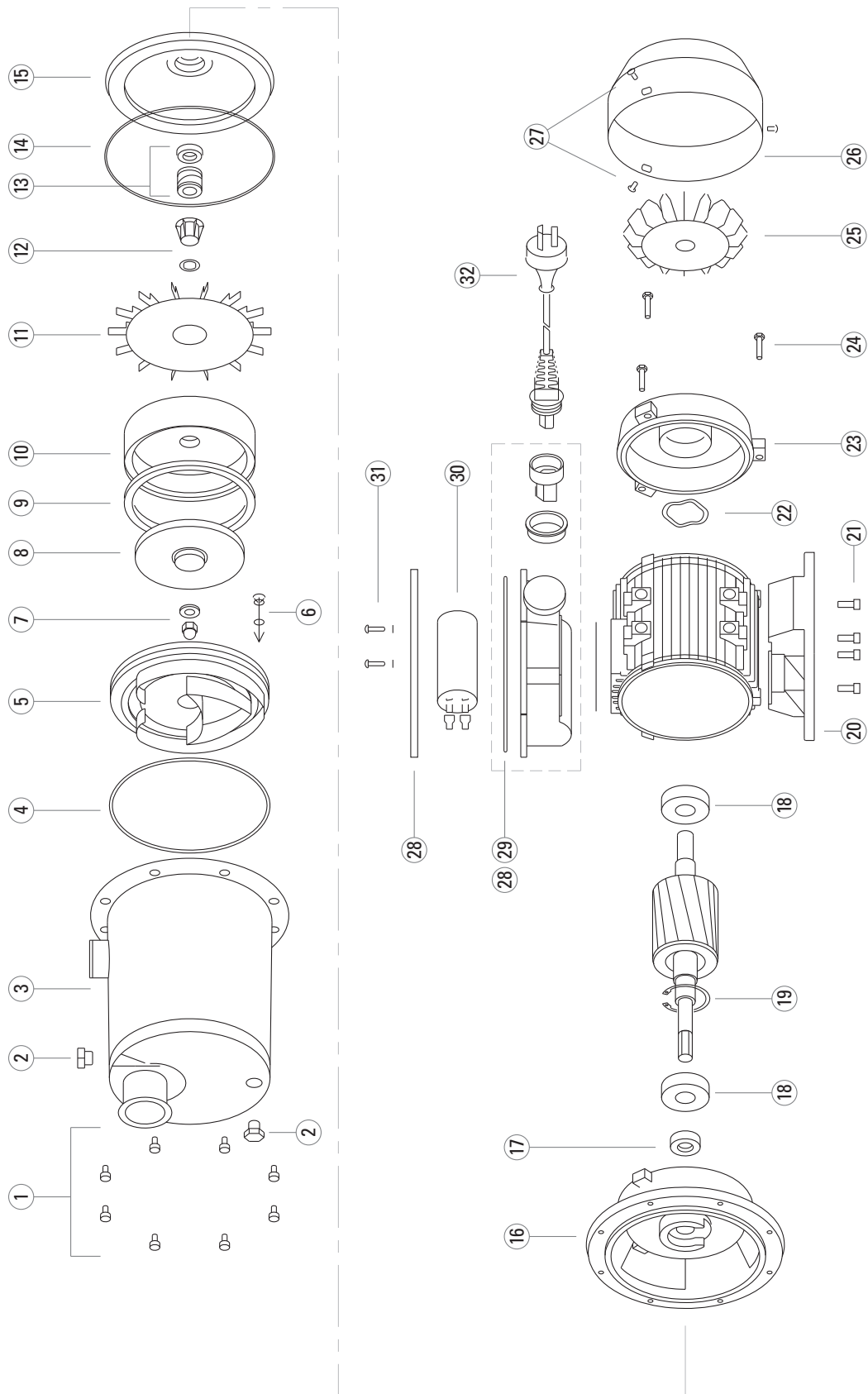


CP400-SL

| ITEM NO. | PART DESCRIPTION | PART NO. | LIST PRICE |
|----------|--|----------|------------|
| 1 | Casing | 101205 | \$175.00 |
| 2 | Plug, M10, S/S, & O-ring | 200559 | \$10.00 |
| 3 | Impeller | 101238 | \$75.00 |
| 4 | Seal, Mechanical | 200068 | \$40.00 |
| 4 | Seal, Mechanical, Viton | 200302 | \$50.00 |
| 5 | O-ring, Casing | 201259 | \$10.00 |
| 6 | Baffle Plate, S/S | 101232 | \$50.00 |
| 7 | Yoke | 101230 | \$100.00 |
| 8 | Screw, Set, S/S (set of 4) | 200348 | \$10.00 |
| 9 | Seal, Lip | 200320 | \$10.00 |
| 10 | Bearing, 6203 | 200321 | \$40.00 |
| 11 | Circlip, Bore | 200439 | \$10.00 |
| 12 | Bearing, 6202 | 200039 | \$35.00 |
| 13 | Washer, Wave | 200053 | \$10.00 |
| 14 | Base, Motor | 100650 | \$35.00 |
| 15 | Endshield | 200325 | \$50.00 |
| 16 | Bolt, Thru (set of 3) | 200349 | \$10.00 |
| 17 | Fan | 200346 | \$30.00 |
| 18 | Cowl, Fan | 200326 | \$40.00 |
| 19 | Screw, S/S (set of 3) | 200310 | \$10.00 |
| 20 | Capacitor, 20 μ F | 200052 | \$55.00 |
| 21 | Gasket, Terminal Cover | 100510 | \$10.00 |
| 22 | Cover, Terminal, Assembly | 100524 | \$50.00 |
| 23 | Screw Assembly (set of 2) | 200311 | \$10.00 |
| 24 | Lead, Power | 100361 | \$30.00 |
| | Motor Assembly, 1000W, includes Seal & Casing O-ring | 300014 | \$490.00 |

Pumps & Pressure Systems

MP600 / MP750 / MP1100



MP600

MP750

MP1100

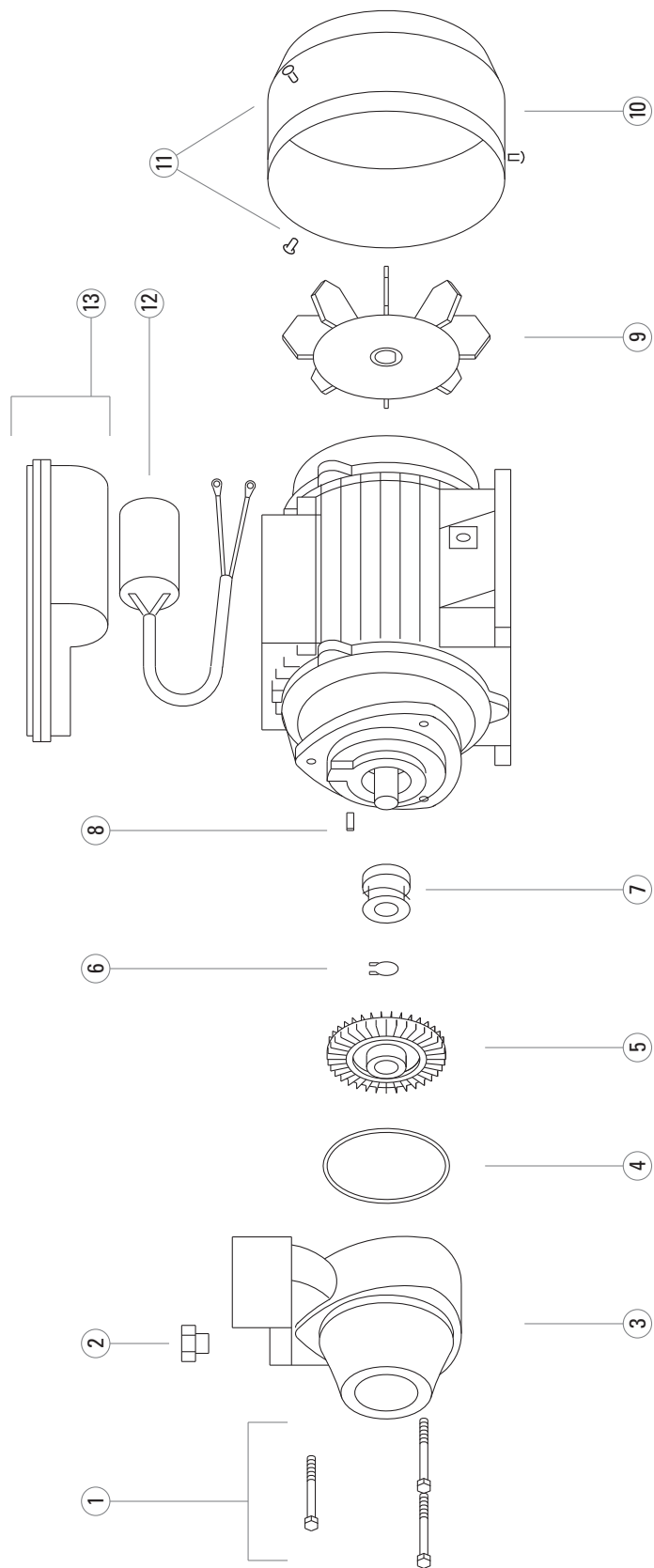
| ITEM NO. | PART DESCRIPTION | PART NO. | LIST PRICE | PART NO. | LIST PRICE | PART NO. | LIST PRICE |
|----------|--------------------------------|------------|------------|------------|------------|-------------|------------|
| 1 | Screw, S/S (set of 8) | 202611 | \$20.00 | 202611 | \$20.00 | 202611 | \$20.00 |
| 2 | Plug, M10, S/S, & O-ring | 200559 | \$10.00 | 200559 | \$10.00 | 200559 | \$10.00 |
| 3 | Casing with foot | 200556 | \$130.00 | 200575 | \$140.00 | 200560 | \$150.00 |
| | Foot, Casing | | | 200574 | \$10.00 | 200574 | \$10.00 |
| 4 # | O-ring, Inlet Plate | 201258 | \$10.00 | 201258 | \$10.00 | 201258 | \$10.00 |
| 5 # | Plate, Inlet | 110438 | \$50.00 | 110438 | \$50.00 | 110438 | \$50.00 |
| 6 # | Valve, Air Bleed | 110439 | \$10.00 | 110439 | \$10.00 | 110439 | \$10.00 |
| 7 | Locknut & Washer | 200561 | \$10.00 | 200561 | \$10.00 | 200561 | \$10.00 |
| 8 # | Impeller | 110600 | x3 \$50.00 | 110433 | x4 \$50.00 | 110433 | x5 \$50.00 |
| 9 # | Diffuser, Spacer Ring | 110431 | x3 \$10.00 | 110431 | x4 \$10.00 | 110431 | x5 \$10.00 |
| 10 # | Diffuser, Assembly | 110603 | x3 \$60.00 | 110432 | x4 \$60.00 | 110432 | x5 \$60.00 |
| 11 # | Plate, Motor | 110437 | \$40.00 | 110437 | \$40.00 | 110437 | \$40.00 |
| 12 # | Washer, Spacer Shaft | 110131 | \$10.00 | 110131 | \$10.00 | 110131 | \$10.00 |
| 13 # | Seal, Mechanical | 200068 | \$40.00 | 200068 | \$40.00 | 200068 | \$40.00 |
| 13 | Seal, Mechanical, Viton | 200302 | \$50.00 | 200302 | \$50.00 | 200302 | \$50.00 |
| 14 # | O-ring, Casing | 201259 | \$10.00 | 201259 | \$10.00 | 201259 | \$10.00 |
| 15 | Baffle Plate, S/S | 101232 | \$50.00 | 101232 | \$50.00 | 101232 | \$50.00 |
| 16 | Yoke | 200552 | \$100.00 | 200563 | \$100.00 | 200563 | \$100.00 |
| 17 | Seal, Lip | 200320 | \$10.00 | 200564 | \$10.00 | 200564 | \$10.00 |
| 18 | Bearing, pump end | 200321 | \$40.00 | 200336 | \$40.00 | 200336 | \$40.00 |
| 18 | Bearing, fan end | 200039 | \$35.00 | 200336 | \$40.00 | 200336 | \$40.00 |
| 19 | Circlip, Bore, Bearing | 200439 | \$10.00 | 200565 | \$10.00 | 200565 | \$10.00 |
| 20 | Motor foot | 100652 | \$35.00 | 200571 | \$50.00 | 200571 | \$50.00 |
| 21 | Screw, S/S (set of 4) | | | 200329 | \$10.00 | 200329 | \$10.00 |
| 22 | Washer, Wave | 200053 | \$10.00 | 200464 | \$10.00 | 200464 | \$10.00 |
| 23 | Endshield | 200325 | \$50.00 | 200566 | \$60.00 | 200566 | \$60.00 |
| 24 | Screw, Set, S/S (set of 6) | 200329 | \$10.00 | 200195 | \$10.00 | 200195 | \$10.00 |
| 25 | Fan | 200346 | \$30.00 | 200567 | \$30.00 | 200567 | \$30.00 |
| 26 | Cowl | 200326 | \$40.00 | 200570 | \$45.00 | 200570 | \$45.00 |
| 27 | Screw, S/S (set of 3) | 200310 | \$10.00 | 200310 | \$10.00 | 200310 | \$10.00 |
| 28 | Terminal Housing Assembly | 100524 | \$50.00 | 200572 | \$70.00 | 200572 | \$70.00 |
| 29 | O-ring, Terminal Housing | | | 201258 | \$10.00 | 201258 | \$10.00 |
| 30 | Capacitor | 200052 | \$55.00 | 200199 | \$60.00 | 200199 | \$60.00 |
| 31 | Screw, M4 x 12, S/S (set of 4) | | | 200204 | \$10.00 | 200204 | \$10.00 |
| 32 | Lead, Power | 100361 | \$30.00 | 100361 | \$30.00 | 100361 | \$30.00 |
| # | Pump Wet End Kit # | MP600-WEK# | \$290.00 | MP750-WEK# | \$330.00 | MP1100-WEK# | \$380.00 |
| • | Motor Assembly | 300026 | \$590.00 | 300027 | \$640.00 | 300025 | \$800.00 |

Included in Pump Wet End Kit (WEK) • Motor Assembly, includes Seal & Casing O-ring

Add GST to above prices. June 2024 – Category A Discount

Pumps & Pressure Systems

HT100-PM





Pumps & Pressure Systems

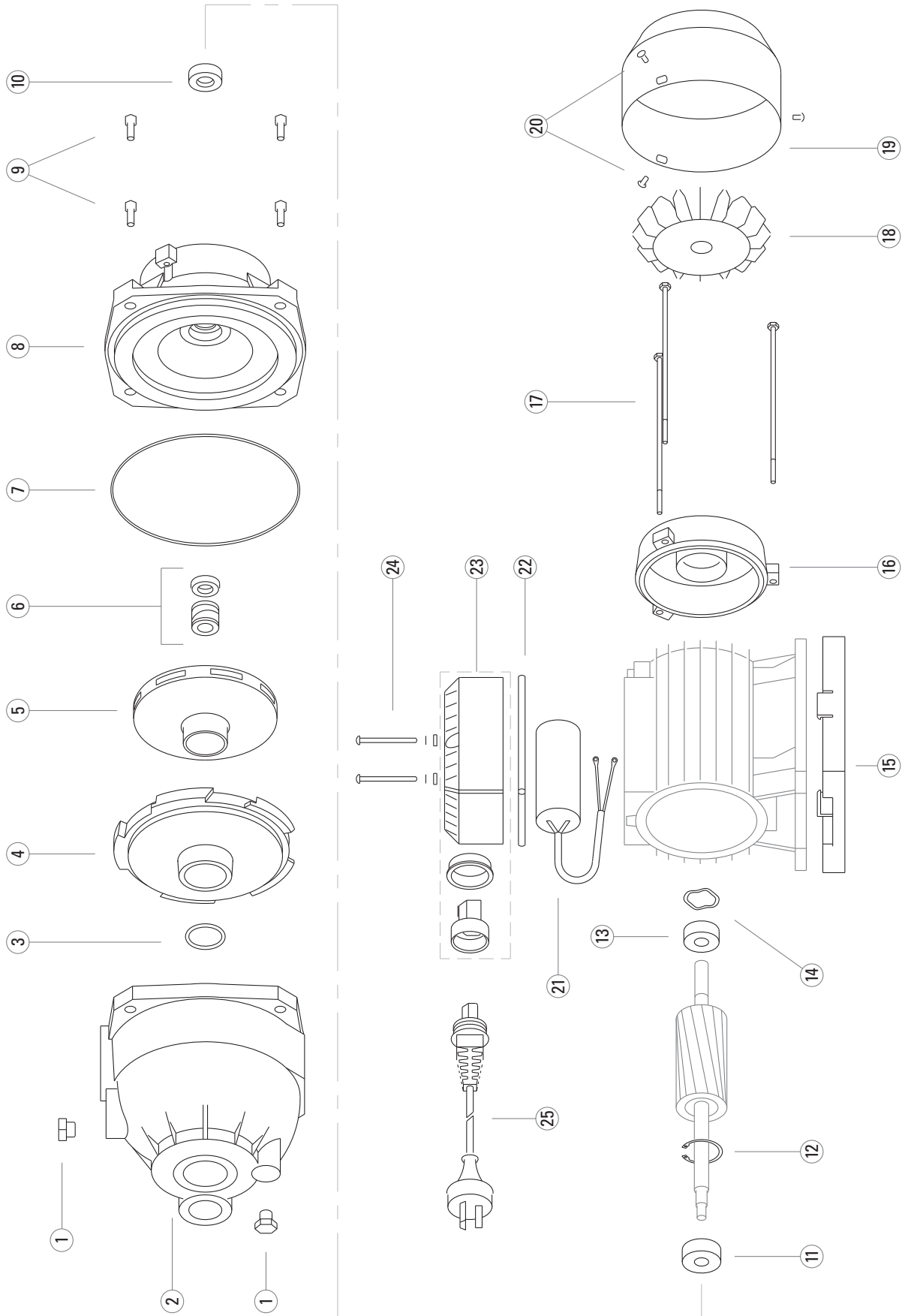
HT100-PM

| ITEM NO. | PART DESCRIPTION | PART NO. | LIST PRICE |
|----------|----------------------------|----------|------------|
| 1 | Screw, S/S, (set of 3) | 202540 | \$10.00 |
| 2 | Plug, M8, Priming & Washer | 200009 | \$10.00 |
| 3 | Casing | 200522 | \$50.00 |
| 4 | O-ring, Casing | 200003 | \$10.00 |
| 5 | Impeller | 200520 | \$40.00 |
| 6 | Circlip | 200004 | \$10.00 |
| 7 | Seal, Mechanical | 200521 | \$30.00 |
| 8 | Key | 200010 | \$5.00 |
| 9 | Fan | 200523 | \$20.00 |
| 10 | Cowl, Fan | 200524 | \$20.00 |
| 11 | Screw, S/S (set of 3) | 200310 | \$10.00 |
| 12 | Capacitor, 6 μ F | 204003 | \$40.00 |
| 13 | Housing, Terminal Assembly | | \$30.00 |

Add GST to above prices. June 2024 – Category A Discount

Farm & Irrigation

HD400

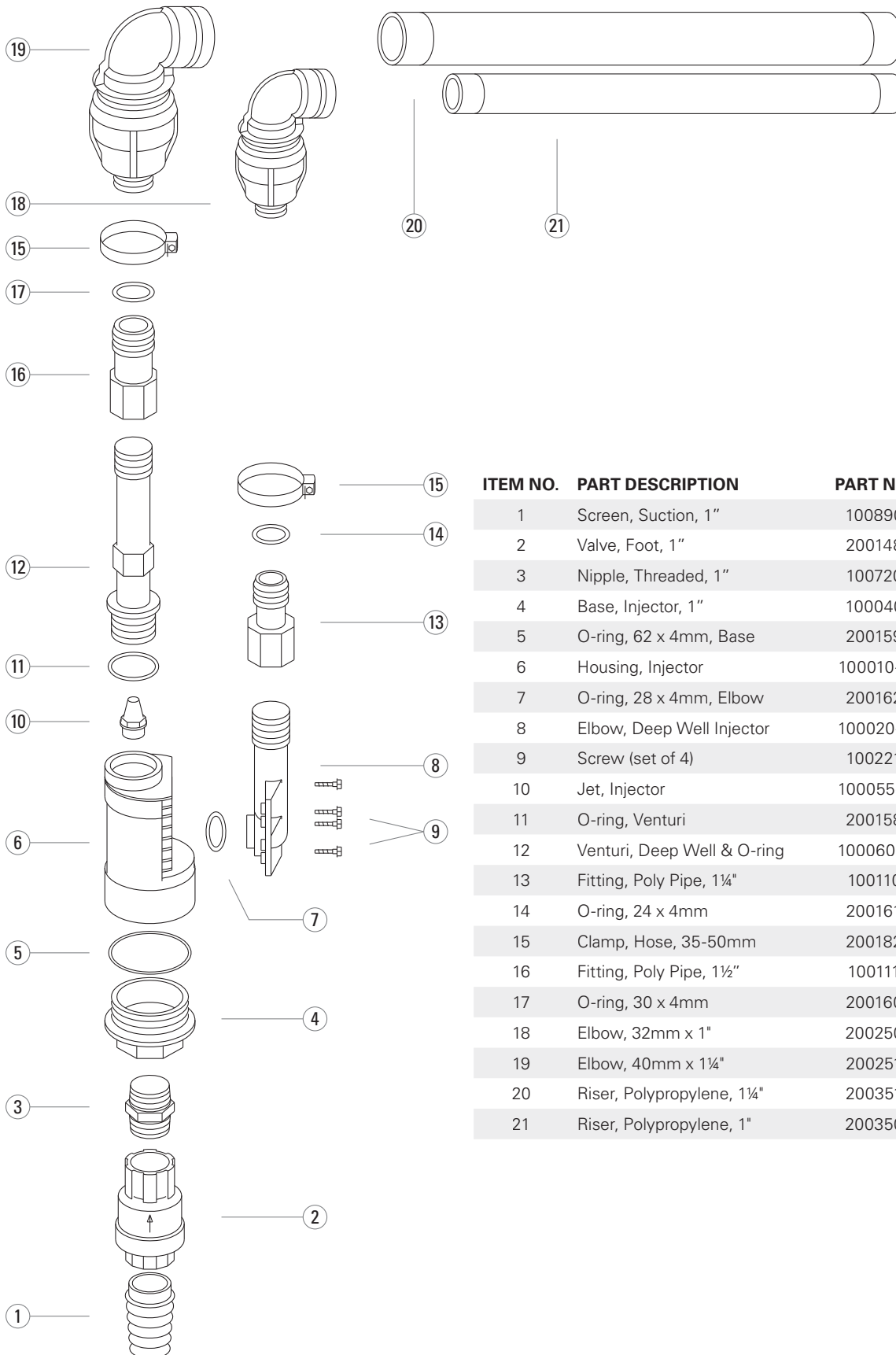


HD400

| ITEM NO. | PART DESCRIPTION | PART NO. | LIST PRICE |
|----------|---|----------|------------|
| 1 | Plug, ¼" BSP | 101950 | \$10.00 |
| 2 | Casing | 100711 | \$120.00 |
| 3 | O-ring (set of 2) | 201730 | \$10.00 |
| 4 | Diffuser | 102270 | \$50.00 |
| 5 | Impeller | 100561 | \$80.00 |
| 6 | Seal, Mechanical | 200068 | \$40.00 |
| 7 | O-ring, Casing | 200036 | \$10.00 |
| 8 | Yoke | 100610 | \$100.00 |
| 9 | Screw, Set, S/S (set of 4) | 200348 | \$10.00 |
| 10 | Seal, Lip | 200320 | \$10.00 |
| 11 | Bearing, 6203 | 200321 | \$40.00 |
| 12 | Circlip, Bore | 200439 | \$10.00 |
| 13 | Bearing, 6202 | 200039 | \$35.00 |
| 14 | Washer, Wave | 200053 | \$10.00 |
| 15 | Base, Motor | 100650 | \$35.00 |
| 16 | Endshield | 200325 | \$50.00 |
| 17 | Bolt, Thru (set of 3) | 200349 | \$10.00 |
| 18 | Fan | 200346 | \$30.00 |
| 19 | Cowl, Fan | 200326 | \$40.00 |
| 20 | Screw, S/S (set of 3) | 200310 | \$10.00 |
| 21 | Capacitor, 20µF | 200052 | \$55.00 |
| 22 | Gasket, Terminal Cover | 100510 | \$10.00 |
| 23 | Cover, Terminal, Assembly | 100524 | \$50.00 |
| 24 | Screw Assembly (set of 2) | 200311 | \$10.00 |
| 25 | Lead, Power | 100361 | \$30.00 |
| | Motor Assembly, 750W, includes Seal & Casing O-ring | 300012 | \$380.00 |

Farm & Irrigation

HD33 KIT



| ITEM NO. | PART DESCRIPTION | PART NO. | LIST PRICE |
|----------|-----------------------------|----------|------------|
| 1 | Screen, Suction, 1" | 100890 | N/A |
| 2 | Valve, Foot, 1" | 200148 | \$50.00 |
| 3 | Nipple, Threaded, 1" | 100720 | \$10.00 |
| 4 | Base, Injector, 1" | 100040 | \$18.00 |
| 5 | O-ring, 62 x 4mm, Base | 200159 | \$8.00 |
| 6 | Housing, Injector | 100010-4 | \$55.00 |
| 7 | O-ring, 28 x 4mm, Elbow | 200162 | \$4.00 |
| 8 | Elbow, Deep Well Injector | 100020-4 | \$21.00 |
| 9 | Screw (set of 4) | 100221 | \$10.00 |
| 10 | Jet, Injector | 100055-3 | \$8.00 |
| 11 | O-ring, Venturi | 200158 | \$5.00 |
| 12 | Venturi, Deep Well & O-ring | 100060-3 | \$25.00 |
| 13 | Fitting, Poly Pipe, 1¼" | 100110 | \$12.00 |
| 14 | O-ring, 24 x 4mm | 200161 | \$3.50 |
| 15 | Clamp, Hose, 35-50mm | 200182 | \$12.00 |
| 16 | Fitting, Poly Pipe, 1½" | 100111 | \$12.00 |
| 17 | O-ring, 30 x 4mm | 200160 | \$4.00 |
| 18 | Elbow, 32mm x 1" | 200250 | \$40.00 |
| 19 | Elbow, 40mm x 1¼" | 200251 | \$45.00 |
| 20 | Riser, Polypropylene, 1¼" | 200351 | \$30.00 |
| 21 | Riser, Polypropylene, 1" | 200350 | \$20.00 |

Add GST to above prices. June 2024 – Category A Discount



Farm & Irrigation

SHALLOW WELL CAST INJECTOR

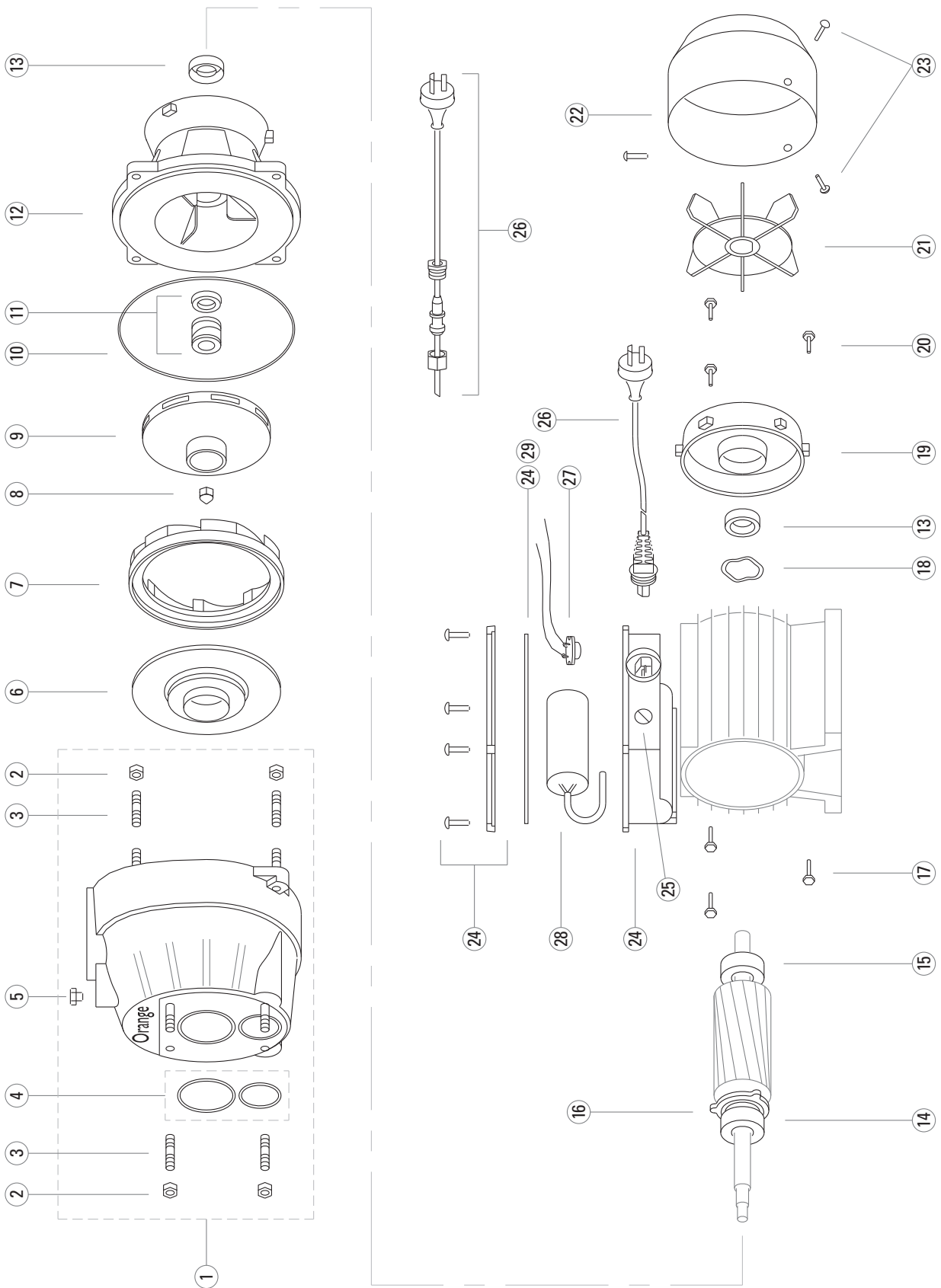
SW38, SW44, SW47, SW48, SW57, SW59, SW66, SW67, SW77, SW89

| PART DESCRIPTION | PART NO. | LIST PRICE |
|--|----------|------------|
| Housing, Injector, Cast | 110353 | \$160.00 |
| Jet No. 3, ID7.3mm | 100055-3 | \$8.00 |
| Jet No. 4, ID8.1mm | 100055-4 | \$8.00 |
| Jet No. 5, ID8.9mm | 100055-5 | \$8.00 |
| Jet No. 6, ID9.8mm | 100055-6 | \$8.00 |
| Jet No. 7, ID10.8mm | 100055-7 | \$8.00 |
| Jet No. 8, ID11.9mm | 100055-8 | \$8.00 |
| Venturi, Shallow Well, No. 4, ID11.5mm | 100078-4 | \$25.00 |
| Venturi, Shallow Well, No. 6, ID14.0mm | 100078-6 | \$25.00 |
| Venturi, Shallow Well, No. 7, ID15.5mm | 100078-7 | \$25.00 |
| Venturi, Shallow Well, No. 8, ID17.0mm | 100078-8 | \$25.00 |
| Venturi, Shallow Well, No. 9, ID19.0mm | 100078-9 | \$25.00 |

First digit is Jet No., Second digit is Venturi No. ie. SW38 has Jet No. 3 & Venturi No. 8

Farm & Irrigation

CJ650 / CJ750 / CJ850





Farm & Irrigation

CJ650

CJ750

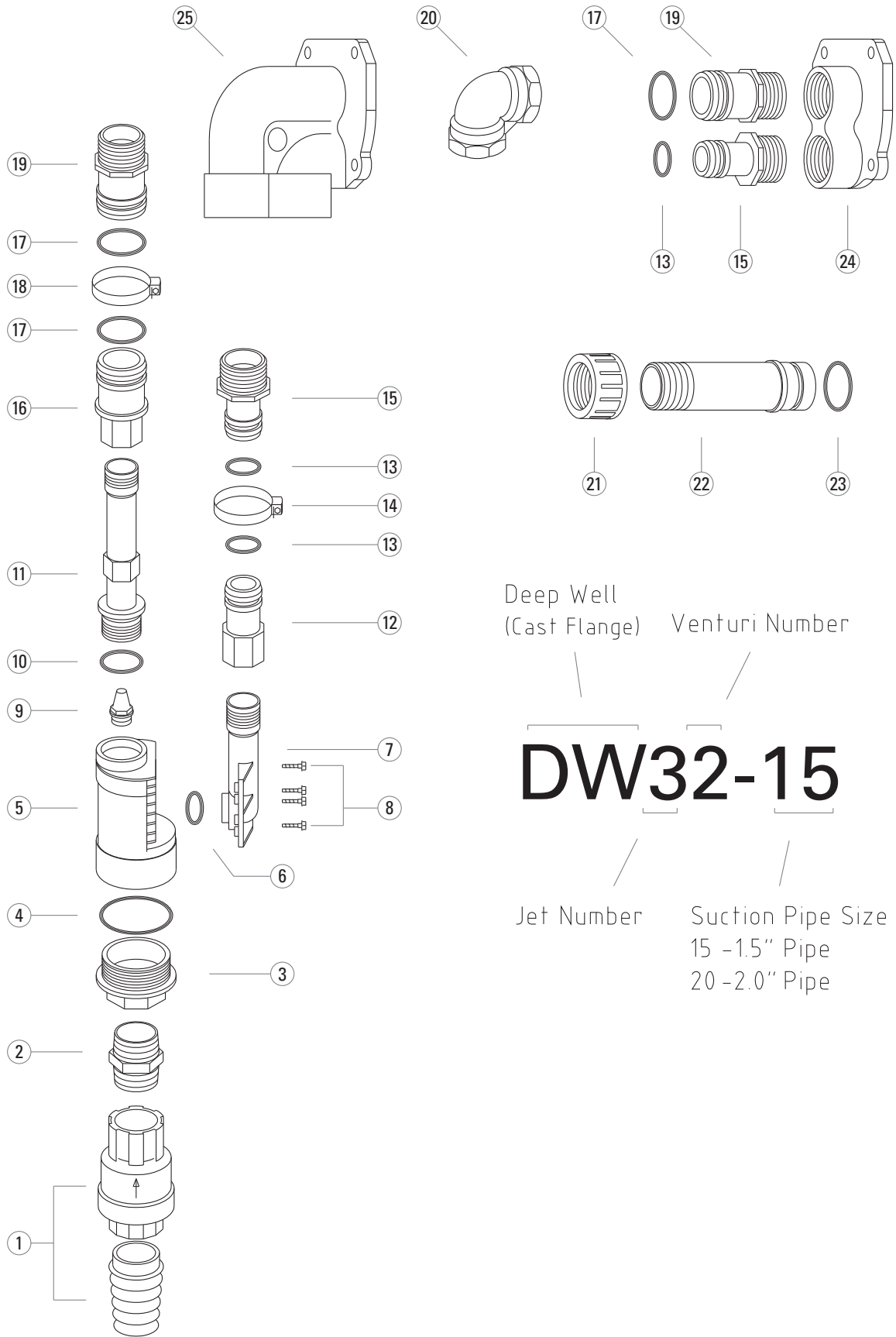
CJ850

| ITEM NO. | PART DESCRIPTION | PART NO. | LIST PRICE | PART NO. | LIST PRICE | PART NO. | LIST PRICE |
|----------|---|----------|------------|----------|------------|----------|------------|
| 1 | Casing Assembly | 101420 | \$220.00 | 101420 | \$220.00 | 101420 | \$220.00 |
| 2 | Nut, M10, S/S (set of 4) | 202002 | \$10.00 | 202002 | \$10.00 | 202002 | \$10.00 |
| 3 | Stud, M10 x 40, MS (set of 4) | | \$10.00 | | \$10.00 | | \$10.00 |
| 4 | O-ring Pack | 101423 | \$10.00 | 101423 | \$10.00 | 101423 | \$10.00 |
| 5 | Plug, ¼" BSP Plastic & O-ring | 101950 | \$10.00 | 101950 | \$10.00 | 101950 | \$10.00 |
| 6 | Plate, Support, Diffuser | 100271 | \$50.00 | 100271 | \$50.00 | 100271 | \$50.00 |
| 7 | Ring, Diffuser | 100252 | \$40.00 | 100251 | \$40.00 | 100250 | \$40.00 |
| 8 | Nut, Lock | 100291 | \$10.00 | 100291 | \$10.00 | 100291 | \$10.00 |
| 9 | Impeller | 100325 | \$80.00 | 100329 | \$90.00 | 100328 | \$100.00 |
| 10 | O-ring, Casing | 200167 | \$15.00 | 200167 | \$15.00 | 200167 | \$15.00 |
| 11 | Seal, Mechanical | 200099 | \$50.00 | 200099 | \$50.00 | 200099 | \$50.00 |
| 11 | Seal, Mechanical, Viton | V200099 | \$60.00 | V200099 | \$60.00 | V200099 | \$60.00 |
| 12 | Yoke, suit double-race bearing | 100123 | \$140.00 | 100123 | \$140.00 | 100123 | \$140.00 |
| 13 | Seal, Lip, OD40mm | 200233 | \$10.00 | 200233 | \$10.00 | 200233 | \$10.00 |
| 14 | Bearing, 3205 double race | 200765 | \$80.00 | 200765 | \$80.00 | 200765 | \$80.00 |
| 15 | Bearing, 6205 | 200194 | \$45.00 | 200194 | \$45.00 | 200194 | \$45.00 |
| 16 | Cap, Bearing | 200209 | \$20.00 | 200209 | \$20.00 | 200209 | \$20.00 |
| 17 | Screw, Set, S/S (set of 6) | 200195 | \$10.00 | 200195 | \$10.00 | 200195 | \$10.00 |
| 18 | Washer, Wave | 200196 | \$10.00 | 200196 | \$10.00 | 200196 | \$10.00 |
| 19 | Endshield | 200197 | \$70.00 | 200197 | \$70.00 | 200197 | \$70.00 |
| 20 | Screw, Set, S/S (set of 3) | 200228 | \$10.00 | 200228 | \$10.00 | 200228 | \$10.00 |
| 21 | Fan | 200205 | \$30.00 | 200205 | \$30.00 | 200205 | \$30.00 |
| 22 | Cowl, Fan | 200206 | \$50.00 | 200206 | \$50.00 | 200206 | \$50.00 |
| 23 | Screw, S/S (set of 3) | 200310 | \$10.00 | 200310 | \$10.00 | 200310 | \$10.00 |
| 24 | Housing, Terminal, 10 Amp Assembly | 100454 | \$60.00 | 100454 | \$60.00 | | |
| 24 | Housing, Terminal, 15 Amp or 3-phase | | | 100455 | \$60.00 | 100455 | \$60.00 |
| 25 | Plug, Conduit | | | | | 200258 | \$4.00 |
| 26 | Lead, Power, 10 Amp | 100361 | \$30.00 | 100361 | \$30.00 | | |
| 26 | Lead, Power, 15 Amp or 3-phase | | | | | | \$50.00 |
| 27 | Switch, Thermal, 1.1kW Motor | 200210 | \$80.00 | | | | |
| 27 | Switch, Thermal, 1.5kW Motor | | | 200211 | \$80.00 | | |
| 27 | Switch, Thermal, 2.4kW Motor | | | | | 200212 | \$80.00 |
| 28 | Capacitor, 30µF | 200199 | \$60.00 | | | | |
| 28 | Capacitor, 35µF, (230V motor) | | | 200200 | \$65.00 | | |
| 28 | Capacitor, 45µF, (230V motor) | | | | | 200201 | \$70.00 |
| 28 | Capacitor, 18µF, (460V motor) | | | | | 200202 | \$50.00 |
| 29 | O-ring, Terminal Housing | 200036 | \$10.00 | 200036 | \$10.00 | 200036 | \$10.00 |
| | Motor Assembly, 230V, 1100W, post 11/11 | 300015 | \$600.00 | | | | |
| | Motor Assembly, 230V, 1500W, post 11/11 | | | 300016 | \$750.00 | | |
| | Motor Assembly, 230V, 2400W, post 11/11 | | | | | 300017 | \$900.00 |
| | Motor Assembly, 415V, 1500W | | | 300008 | \$750.00 | | |
| | Motor Assembly, 415V, 2400W | | | | | 300009 | \$900.00 |
| | Motor Assembly, 460V, 2400W | | | | | 300010 | \$900.00 |
| | Motor Assembly, includes Seal & Casing O-ring | | | | | | |

Add GST to above prices. June 2024 – Category A Discount

Farm & Irrigation

DEEP WELL INJECTOR



Deep Well (Cast Flange) Venturi Number

DW32-15

Jet Number Suction Pipe Size
 15 -1.5" Pipe
 20 -2.0" Pipe



Farm & Irrigation

DW-15, DW-20 SUCTION PIPE SIZE

1.5"

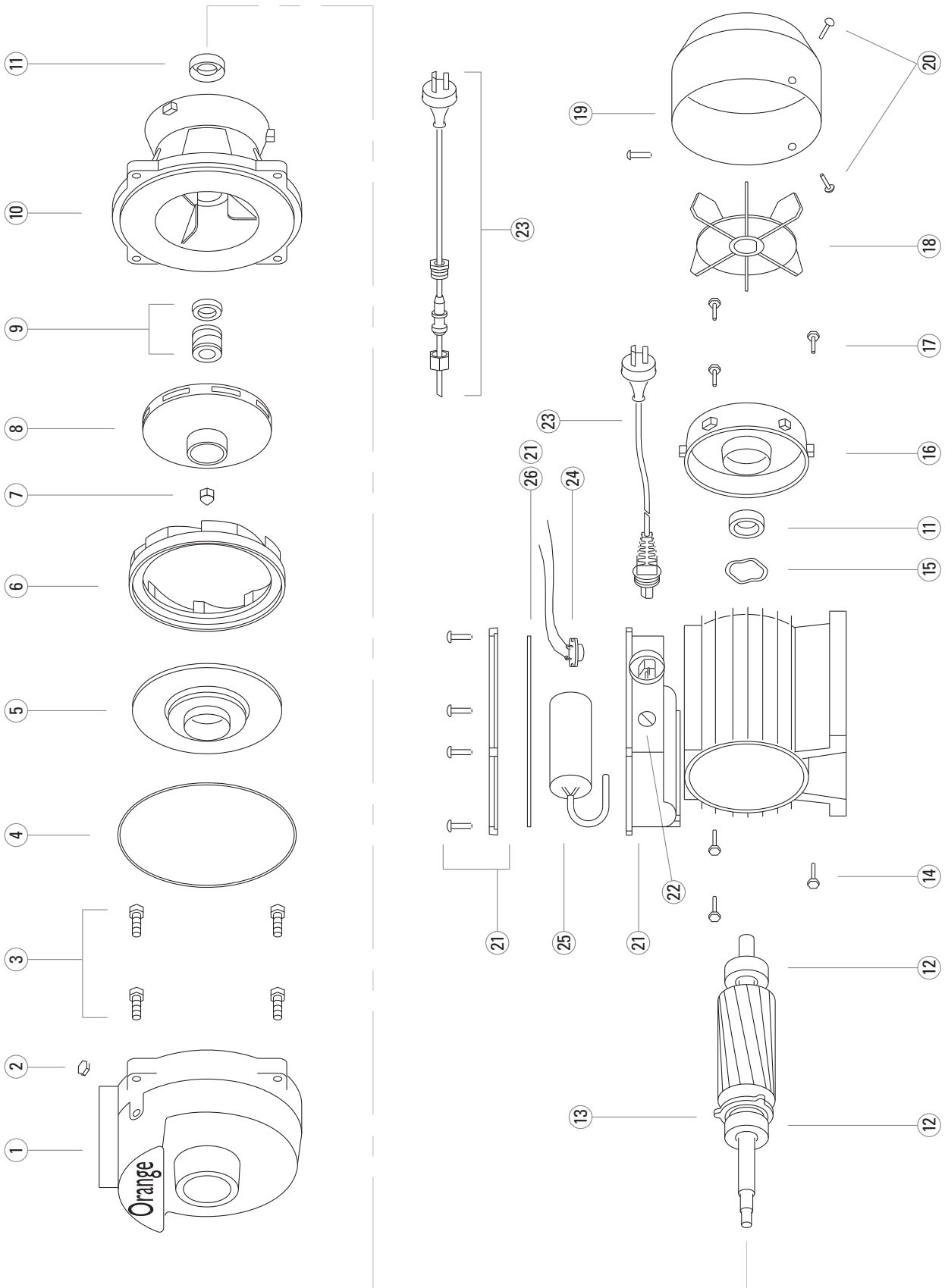
2.0"

| ITEM NO. | PART DESCRIPTION | PART NO. | LIST PRICE | PART NO. | LIST PRICE |
|----------|-------------------------------------|----------|------------|----------|------------|
| 1 | Foot Valve 1½" | 200157 | \$75.00 | 200157 | \$75.00 |
| 2 | Nipple, 1½" BSP | 110400 | \$11.00 | 110400 | \$11.00 |
| 3 | Base, Injector Housing | 100041 | \$18.00 | 100041 | \$18.00 |
| 4 | O-ring | 200159 | \$8.00 | 200159 | \$8.00 |
| 5 | Housing, Injector, Deep Well | 100010-4 | \$55.00 | 100010-4 | \$55.00 |
| 6 | O-ring | 200162 | \$4.00 | 200162 | \$4.00 |
| 7 | Elbow, Deep Well | 100020-4 | \$21.00 | 100020-4 | \$21.00 |
| 8 | Screw, S/S (set of 4) | 100221 | \$10.00 | 100221 | \$10.00 |
| 9 | Jet No. 3, ID7.3mm | 100055-3 | \$8.00 | 100055-3 | \$8.00 |
| 9 | Jet No. 4, ID8.1mm | 100055-4 | \$8.00 | | |
| 9 | Jet No. 5, ID8.9mm | | | 100055-5 | \$8.00 |
| 9 | Jet No. 7, ID10.8mm | | | 100055-7 | \$8.00 |
| 10 | O-ring | 200158 | \$5.00 | 200158 | \$5.00 |
| 11 | Venturi, Deep Well, No. 2, ID9.5mm | 100060-2 | \$25.00 | 100060-2 | \$25.00 |
| 11 | Venturi, Deep Well, No. 4, ID11.5mm | | | 100060-4 | \$25.00 |
| 11 | Venturi, Deep Well, No. 5, ID12.5mm | 100060-5 | \$25.00 | | |
| 11 | Venturi, Deep Well, No. 6, ID14.0mm | 100060-6 | \$25.00 | 100060-6 | \$25.00 |
| 11 | Venturi, Deep Well, No. 7, ID15.5mm | 100060-7 | \$25.00 | 100060-7 | \$25.00 |
| 11 | Venturi, Deep Well, No. 9, ID19.0mm | | | 100060-9 | \$25.00 |
| 12 | Fitting, Poly Pipe | 100110 | \$12.00 | 100111 | \$12.00 |
| 13 | O-ring | 200161 | \$3.50 | 200160 | \$4.00 |
| 14 | Clamp, Hose, 32-50mm | 200182 | \$12.00 | 200182 | \$12.00 |
| 15 | Fitting, Poly Pipe | 100113 | \$12.00 | 100114 | \$12.00 |
| 16 | Fitting, Poly Pipe | 100111 | \$12.00 | 100112 | \$12.00 |
| 17 | O-ring | 200160 | \$4.00 | 200163 | \$5.50 |
| 18 | Clamp, Hose, 32-50mm or 40-60mm | 200182 | \$12.00 | 200183 | \$12.00 |
| 19 | Fitting, Poly Pipe | 100114 | \$12.00 | 100115 | \$12.00 |
| 20 | Elbow, Threaded | 200149 | \$15.00 | 200149 | \$15.00 |
| 21 | Nut, Barrel Union | 100100 | \$6.00 | 100100 | \$6.00 |
| 22 | Tube, Barrel Union, Deep Well | 100160 | \$6.00 | 100160 | \$6.00 |
| 23 | O-ring | 200163 | \$5.50 | 200163 | \$5.50 |
| 24 | Flange, Off-set, DW | 101431 | \$110.00 | 101431 | \$110.00 |
| 25 | Elbow, Over-bore | 101441 | \$130.00 | 101441 | \$130.00 |

Add GST to above prices. June 2024 – Category A Discount

Farm & Irrigation

CP600 / CP700 / CP800



CP600

CP700

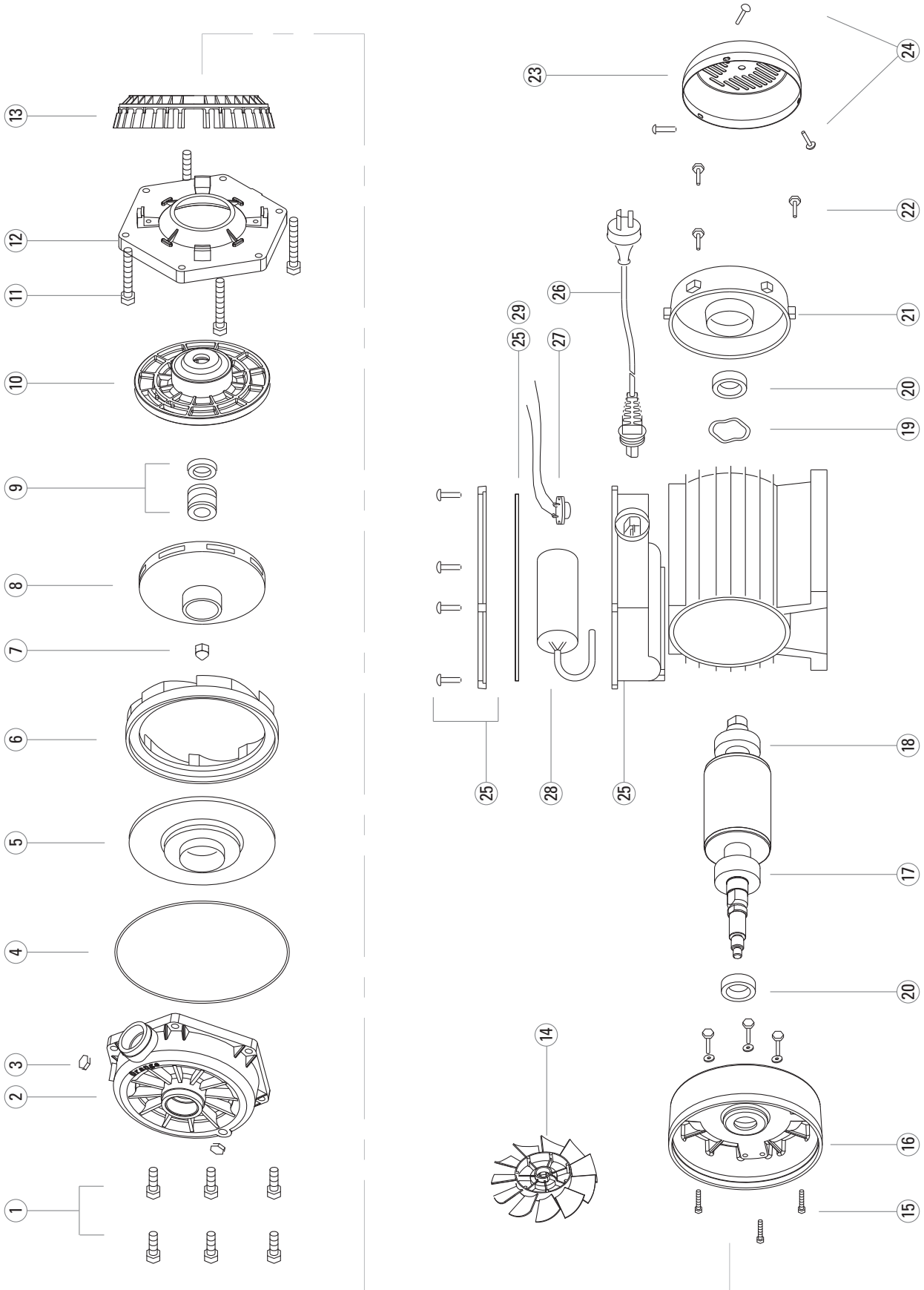
CP800

| ITEM NO. | PART DESCRIPTION | PART NO. | LIST PRICE | PART NO. | LIST PRICE | PART NO. | LIST PRICE |
|----------|--|----------|------------|----------|------------|----------|------------|
| 1 | Casing, Centrifugal Pump | 100133 | \$210.00 | 100133 | \$210.00 | 100133 | \$210.00 |
| 2 | Plug, ¼" BSP | 101950 | \$10.00 | 101950 | \$10.00 | 101950 | \$10.00 |
| 3 | Nut, M10, S/S (set of 4) | 202002 | \$10.00 | 202002 | \$10.00 | 202002 | \$10.00 |
| 3 | Screw, Set, S/S (set of 4) | 200193 | \$10.00 | 200193 | \$10.00 | 200193 | \$10.00 |
| 4 | O-ring, Casing | 200167 | \$15.00 | 200167 | \$15.00 | 200167 | \$15.00 |
| 5 | Plate, Support, Diffuser | 100271 | \$50.00 | 100271 | \$50.00 | 100271 | \$50.00 |
| 6 | Ring, Diffuser | 100252 | \$40.00 | 100251 | \$40.00 | 100250 | \$40.00 |
| 7 | Nut, Lock | | | 100291 | \$10.00 | 100291 | \$10.00 |
| 8 | Impeller, CP600 | 100322 | \$80.00 | | | | |
| 8 | Impeller, CP700, for lock nut | | | 100327 | \$90.00 | | |
| 8 | Impeller, CP800, for lock nut | | | | | 100326 | \$100.00 |
| 8 | Impeller, Open, Cast Iron | | | | | 100188 | \$100.00 |
| 9 | Seal, Mechanical | 200099 | \$50.00 | 200099 | \$50.00 | 200099 | \$50.00 |
| 9 | Seal, Mechanical, Viton | V200099 | \$60.00 | V200099 | \$60.00 | V200099 | \$60.00 |
| 10 | Yoke, suit double-race bearing | 100123 | \$140.00 | 100123 | \$140.00 | 100123 | \$140.00 |
| 11 | Seal, Lip, OD40mm | 200233 | \$10.00 | 200233 | \$10.00 | 200233 | \$10.00 |
| 12 | Bearing, 6205 | 200194 | \$45.00 | 200194 | \$45.00 | 200194 | \$45.00 |
| 13 | Cap, Bearing | 200209 | \$20.00 | 200209 | \$20.00 | 200209 | \$20.00 |
| 14 | Screw, Set, S/S (set of 6) | 200195 | \$10.00 | 200195 | \$10.00 | 200195 | \$10.00 |
| 15 | Washer, Wave | 200196 | \$10.00 | 200196 | \$10.00 | 200196 | \$10.00 |
| 16 | Endshield | 200197 | \$70.00 | 200197 | \$70.00 | 200197 | \$70.00 |
| 17 | Screw, Set, S/S (set of 3) | 200228 | \$10.00 | 200228 | \$10.00 | 200228 | \$10.00 |
| 18 | Fan | 200205 | \$30.00 | 200205 | \$30.00 | 200205 | \$30.00 |
| 19 | Cowl, Fan | 200206 | \$50.00 | 200206 | \$50.00 | 200206 | \$50.00 |
| 20 | Screw, S/S (set of 3) | 200310 | \$10.00 | 200310 | \$10.00 | 200310 | \$10.00 |
| 21 | Housing, Terminal, 10 Amp | 100454 | \$60.00 | 100454 | \$60.00 | | |
| 21 | Housing, Terminal, 15 Amp / 3-phase | | | 100455 | \$60.00 | 100455 | \$60.00 |
| 22 | Plug, Conduit | 200258 | \$4.00 | 200258 | \$4.00 | 200258 | \$4.00 |
| 23 | Lead, Power, 10 Amp | 100361 | \$30.00 | 100361 | \$30.00 | | |
| 23 | Lead, Power, Assembly, 15 Amp or 3-phase | | | | | | \$50.00 |
| 24 | Switch, Thermal, 1.1kW Motor | 200210 | \$80.00 | | | | |
| 24 | Switch, Thermal, 1.5kW Motor | | | 200211 | \$80.00 | | |
| 24 | Switch, Thermal, 2.4kW Motor | | | | | 200212 | \$80.00 |
| 25 | Capacitor, 30µF | 200199 | \$60.00 | | | | |
| 25 | Capacitor, 35µF, (230V motor) | | | 200200 | \$65.00 | | |
| 25 | Capacitor, 45µF, (230V motor) | | | | | 200201 | \$70.00 |
| 25 | Capacitor, 18µF, (460V motor) | | | | | 200202 | \$50.00 |
| 26 | O-ring, Terminal Housing | 200036 | \$10.00 | 200036 | \$10.00 | 200036 | \$10.00 |
| | Motor Assembly, 230V, 1100W, post 11/11 | 300015 | \$600.00 | | | | |
| | Motor Assembly, 230V, 1500W, post 11/11 | | | 300016 | \$750.00 | | |
| | Motor Assembly, 230V, 2400W, post 11/11 | | | | | 300017 | \$900.00 |
| | Motor Assembly, 415V, 1500W | | | 300008 | \$750.00 | | |
| | Motor Assembly, 415V, 2400W | | | | | 300009 | \$900.00 |
| | Motor Assembly, 460V, 2400W | | | | | 300010 | \$900.00 |
| | Motor Assembly includes Seal & Casing O-ring | | | | | | |

Add GST to above prices. June 2024 – Category A Discount

Farm & Irrigation

CP1500



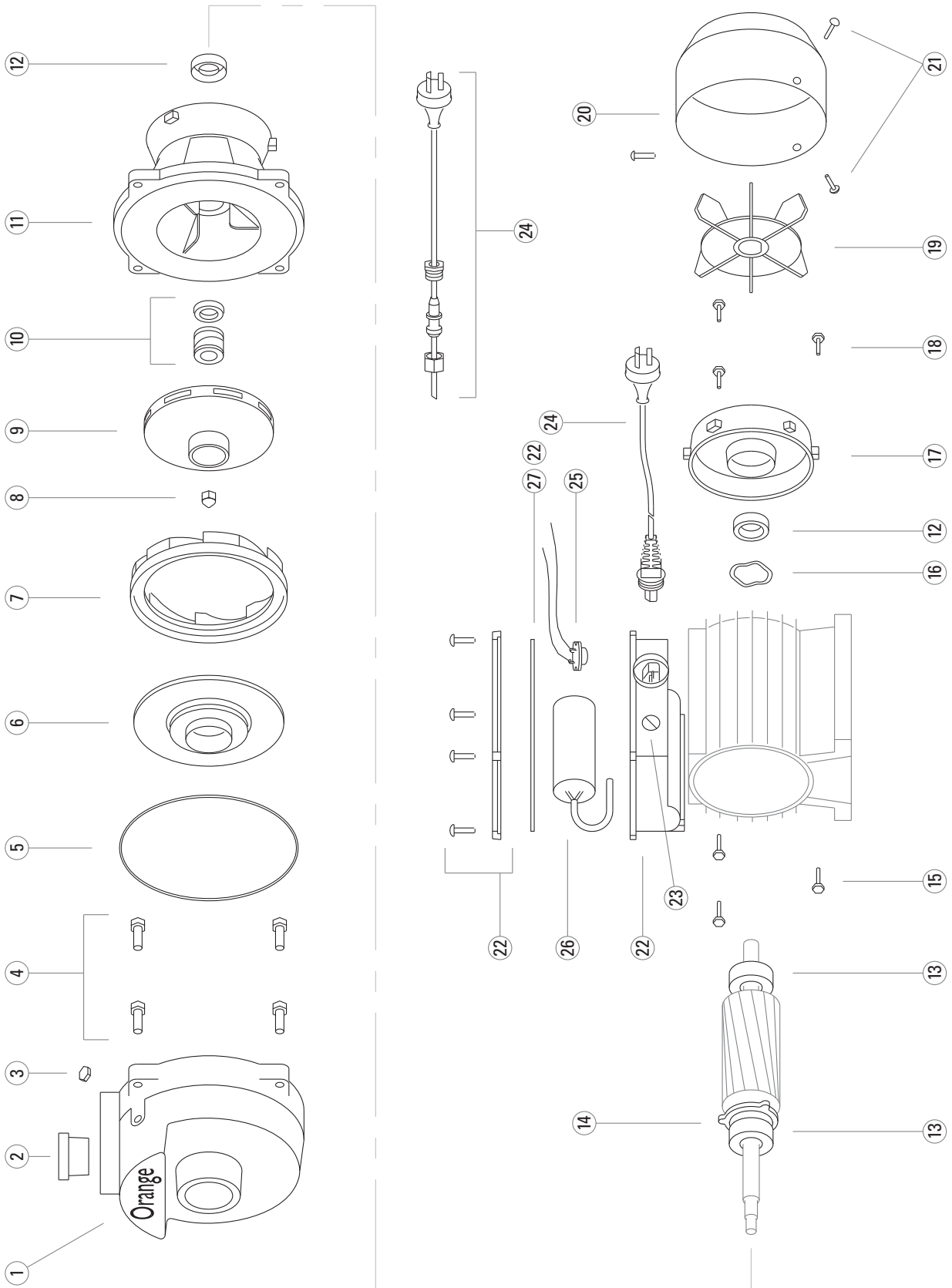
CP1500

| ITEM NO. | PART DESCRIPTION | PART NO. | LIST PRICE |
|----------|---|----------|------------|
| 1 | Cap Screw & Washer M10 x 40, S/S, (set of 6) | | \$20.00 |
| 2 | Casing | 200771 | \$130.00 |
| 3 | Plug, ¼" BSP Plastic, & O-ring | 101950 | \$10.00 |
| 4 | O-ring, Casing | 201264 | \$15.00 |
| 4 | O-ring, Casing, Viton | V201266 | P.O.A. |
| 5 | Plate, Support, Diffuser | 100271 | \$50.00 |
| 6 | Ring, Diffuser | 100251 | \$40.00 |
| 7 | Nut, Lock | 100291 | \$10.00 |
| 8 | Impeller, CP700, for lock nut | 100327 | \$90.00 |
| 9 | Seal, Mechanical | 200099 | \$50.00 |
| 9 | Seal, Mechanical, Viton | V200099 | \$60.00 |
| 10 | Baffle | 200770 | \$60.00 |
| 11 | Cap Screw, M6 x 80, S/S, (set of 4) | | \$10.00 |
| 12 | Connecting Plate | 200772 | \$140.00 |
| 13 | Air Vent | 200773 | \$90.00 |
| 14 | Fan | | \$30.00 |
| 15 | Screw, Set, M5 x 40, S/S, (set of 3) | | \$10.00 |
| 16 | Yoke | | \$140.00 |
| 17 | Bearing, 3205 double race | 200765 | \$80.00 |
| 18 | Bearing, 6205 | 200194 | \$45.00 |
| 19 | Washer, Wave | 200196 | \$10.00 |
| 20 | Seal, Lip, OD40mm | 200233 | \$10.00 |
| 21 | Endshield | 200197 | \$70.00 |
| 22 | Screw, Set, S/S, (set of 6) | 200195 | \$10.00 |
| 23 | Cowl | 200774 | \$50.00 |
| 24 | Screw, S/S, (set of 3) | 200310 | \$10.00 |
| 25 | Housing, Terminal, CJ/CP 10 Amp | 100454 | \$60.00 |
| 26 | Lead, Power | 100361 | \$30.00 |
| 27 | Switch, Thermal, 1.5kW Motor | 200211 | \$80.00 |
| 28 | Capacitor, 35µF, (230V motor) | 200200 | \$65.00 |
| 29 | O-ring, Terminal Housing | 200039 | \$10.00 |
| | Motor Assembly, includes Seal & Casing O-ring | 300018 | \$750.00 |

Add GST to above prices. June 2024 – Category A Discount

Farm & Irrigation

DM500 / CP710





Farm & Irrigation

DM500

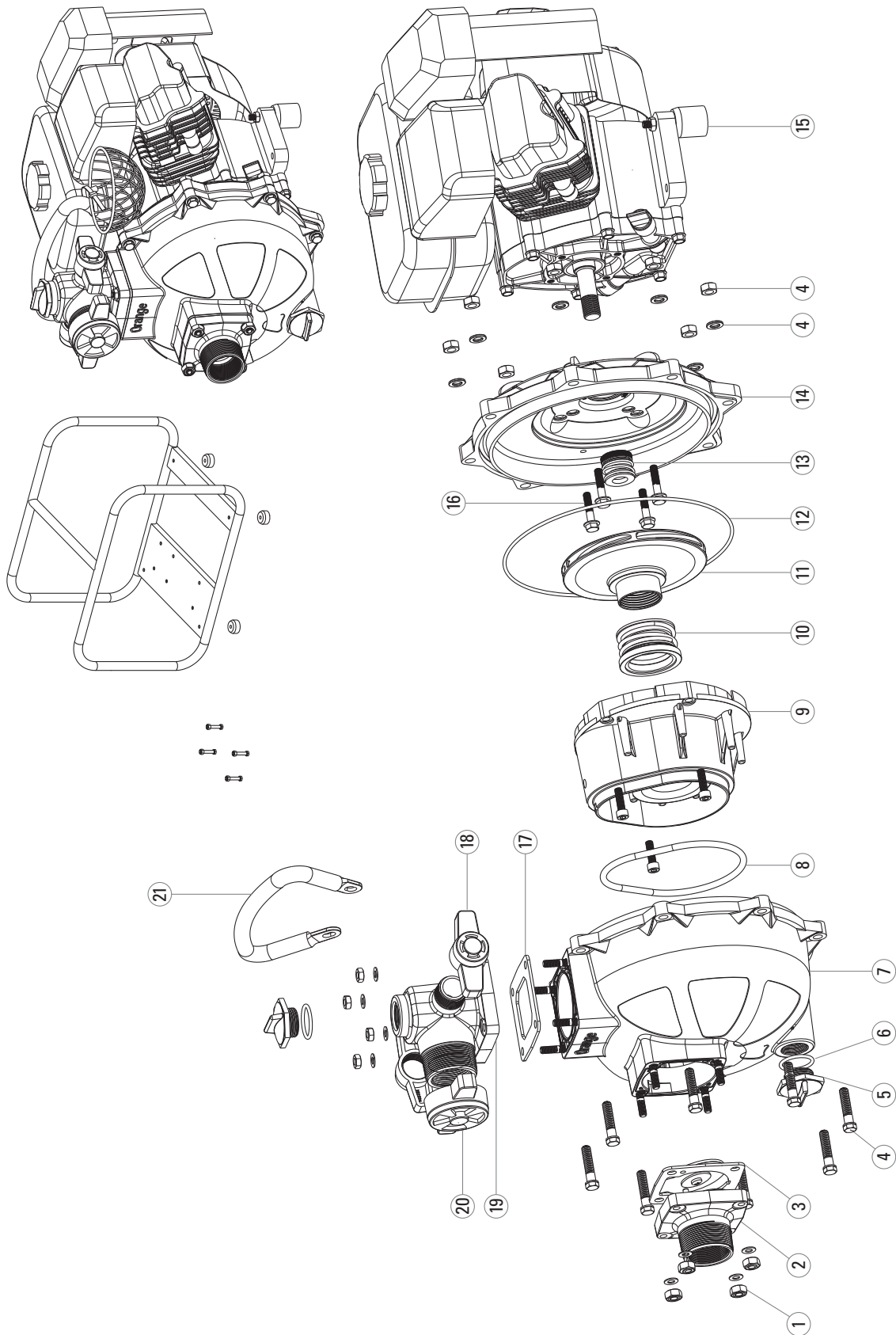
CP710

| ITEM NO. | PART DESCRIPTION | PART NO. | LIST PRICE | PART NO. | LIST PRICE |
|----------|--|----------|------------|----------|------------|
| 1 | Casing, Centrifugal Pump | 100133 | \$210.00 | 100135 | \$210.00 |
| 2 | Reducing Bush, 40 x 25, Plastic | | | 205153 | \$15.00 |
| 3 | Plug, ¼" BSP | 101950 | \$10.00 | 100281 | \$10.00 |
| 4 | Nut, M10, S/S (set of 4) | 202002 | \$10.00 | 202002 | \$10.00 |
| 4 | Screw, Set, S/S (set of 4) | 200193 | \$10.00 | 200193 | \$10.00 |
| 5 | O-ring, Casing | 200167 | \$15.00 | 200167 | \$15.00 |
| 6 | Plate, Support, Diffuser | 100271 | \$50.00 | 100271 | \$50.00 |
| 7 | Ring, Diffuser | 100250 | \$40.00 | 101260 | \$42.00 |
| 8 | Nut, Lock | 100291 | \$10.00 | 100291 | \$10.00 |
| 9 | Impeller | 100328 | \$100.00 | 100932 | \$90.00 |
| 10 | Seal, Mechanical | 200099 | \$50.00 | 200099 | \$50.00 |
| 10 | Seal, Mechanical, Viton | V200099 | \$60.00 | V200099 | \$60.00 |
| 11 | Yoke, suit double-race bearing | 100123 | \$140.00 | 100123 | \$140.00 |
| 12 | Seal, Lip, OD40mm | 200233 | \$10.00 | 200233 | \$10.00 |
| 13 | Bearing, 6205 | 200194 | \$45.00 | 200194 | \$45.00 |
| 14 | Cap, Bearing | 200209 | \$20.00 | 200209 | \$20.00 |
| 15 | Screw, Set, S/S (set of 6) | 200195 | \$10.00 | 200195 | \$10.00 |
| 16 | Washer, Wave | 200196 | \$10.00 | 200196 | \$10.00 |
| 17 | Endshield | 200197 | \$70.00 | 200197 | \$70.00 |
| 18 | Screw, Set, S/S (set of 3) | 200228 | \$10.00 | 200228 | \$10.00 |
| 19 | Fan | 200205 | \$30.00 | 200205 | \$30.00 |
| 20 | Cowl, Fan | 200206 | \$50.00 | 200206 | \$50.00 |
| 21 | Screw, S/S (set of 3) | 200310 | \$10.00 | 200310 | \$10.00 |
| 22 | Housing, Terminal, 10 Amp | | | 100454 | \$60.00 |
| 22 | Housing, Terminal, 15 Amp or 3-phase | 100455 | \$60.00 | | |
| 23 | Plug, Conduit | 200258 | \$4.00 | | |
| 24 | Lead, Power, 10 Amp | | | 100361 | \$30.00 |
| 24 | Lead, Power, 15 Amp or 3-phase | | \$50.00 | | |
| 25 | Switch, Thermal, 1.5kW Motor | | | 200211 | \$80.00 |
| 26 | Capacitor, 35µF, (230V motor) | | | 200200 | \$65.00 |
| 26 | Capacitor, 18µF, (460V motor) | 200202 | \$50.00 | | |
| 27 | O-ring, Terminal Housing | 200036 | \$10.00 | 200036 | \$10.00 |
| | Motor Assembly, 230V, 1500W, post 11/11 | | | 300016 | \$750.00 |
| | Motor Assembly, 415V, 1500W | | | 300008 | \$750.00 |
| | Motor Assembly, 415V, 2400W | 300009 | \$900.00 | | |
| | Motor Assembly, 460V, 2400W | 300010 | \$900.00 | | |
| | Motor Assembly includes Seal & Casing O-ring | | | | |

Add GST to above prices. June 2024 – Category A Discount

Engine Drive Pumps

UTILITY PUMP RANGE

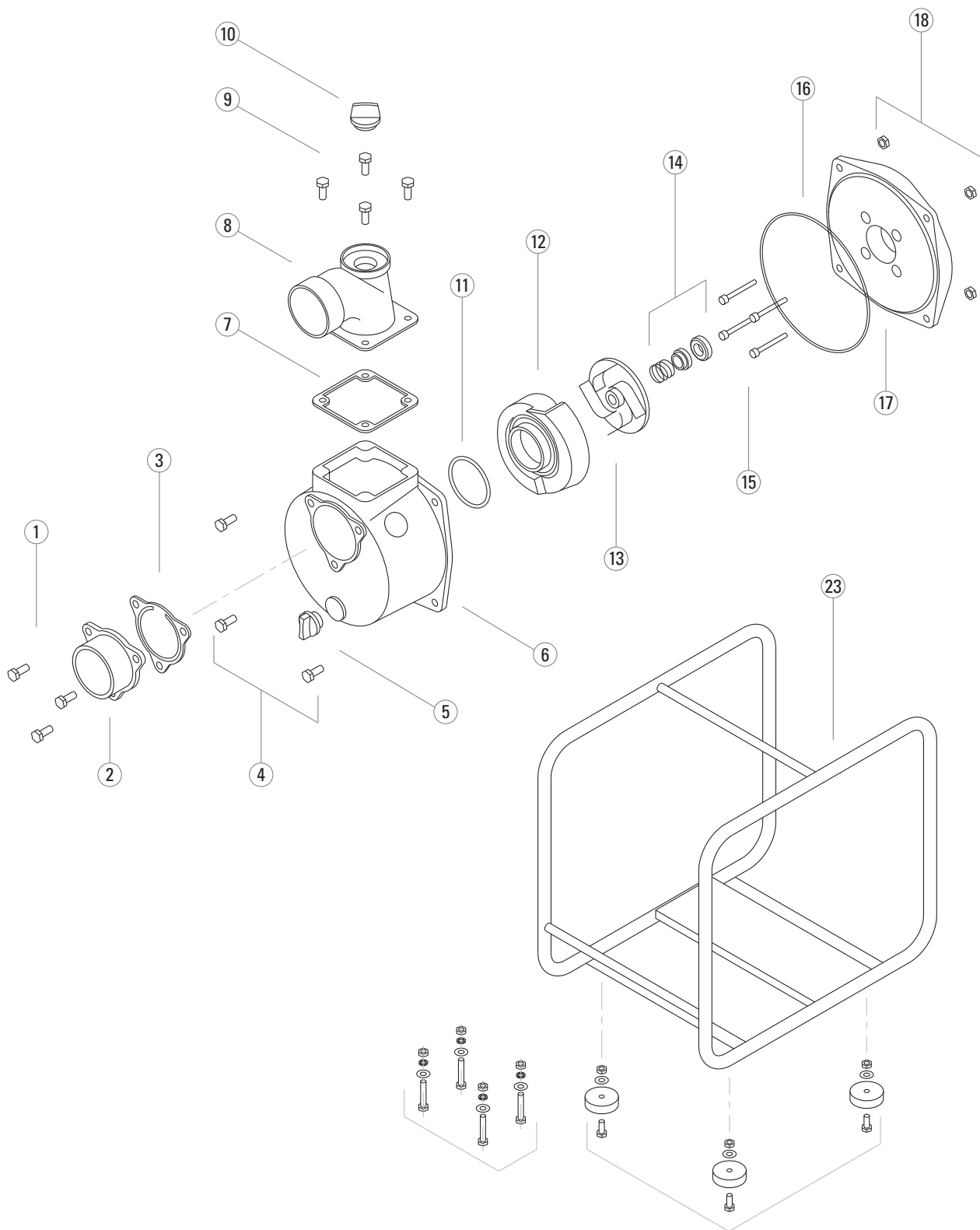


UTILITY PUMP RANGE

| ITEM NO. | PART DESCRIPTION | PART NO. | LIST PRICE |
|----------|--|-------------|------------|
| 1 | Nuts & Washers, M8, (set of 4) | | \$10.00 |
| 2 | Suction Flange, 2" x 1.5", UP | 101543 | \$80.00 |
| 3 # | Valve, Clacker | 101545 | \$50.00 |
| 4 | Bolts, M10 x 45 (x6) & M10 x 50 (x2), & Nuts/Washers | | \$30.00 |
| 5 | Plug, 1" BSP, & O-ring | 101571 | \$30.00 |
| 6 # | O-ring | 200164 | \$10.00 |
| 7 | Casing Assembly includes studs | 101564 | \$200.00 |
| | Base, Yoke & Casing | 102901 | \$10.00 |
| 8 # | O-ring, Diffuser, 136.5 x 7.0 | 201432 | \$30.00 |
| 9 | Diffuser | 101510 | \$130.00 |
| 10 # | Seal, Mechanical, Neck-ring | 203453 | \$80.00 |
| 11 | Impeller, ¾" UNF | 101523 | \$140.00 |
| 12 # | O-ring, Casing, 254 x 3.5 | 201274 | \$20.00 |
| 13 # | Seal, Mechanical | 200099 | \$50.00 |
| 14 | Yoke, ¾" UNF shaft | 101532 | \$130.00 |
| 15 | Rubber Pad Assembly, UP-Pump, (set of 2) | 102021 | \$30.00 |
| 16 | Bolt & O-ring (x4), 5/16" UNF x 1½", Honda | 101851 | \$35.00 |
| 16 | Bolt & O-ring (x4), M8 x 38.5, Yanmar | 101852 | \$35.00 |
| # | O-ring Bolt, 8 x 2.6, (set of 4) | 201109 | \$10.00 |
| 17 # | Gasket, Discharge | 101555 | \$30.00 |
| 18 | Cap, 1", & Gasket | 101574 | \$30.00 |
| 19 | Discharge Flange, 2" | 101558 | \$90.00 |
| 20 | Cap, 2", & Gasket | 101572 | \$40.00 |
| 21 | Handle, Carry | 101650 | \$25.00 |
| # | Seal Kit | UP-Seal Kit | |
| # | Seal Kit, Viton | UP-VK | |

Engine Drive Pumps

3" VOLUME PUMP



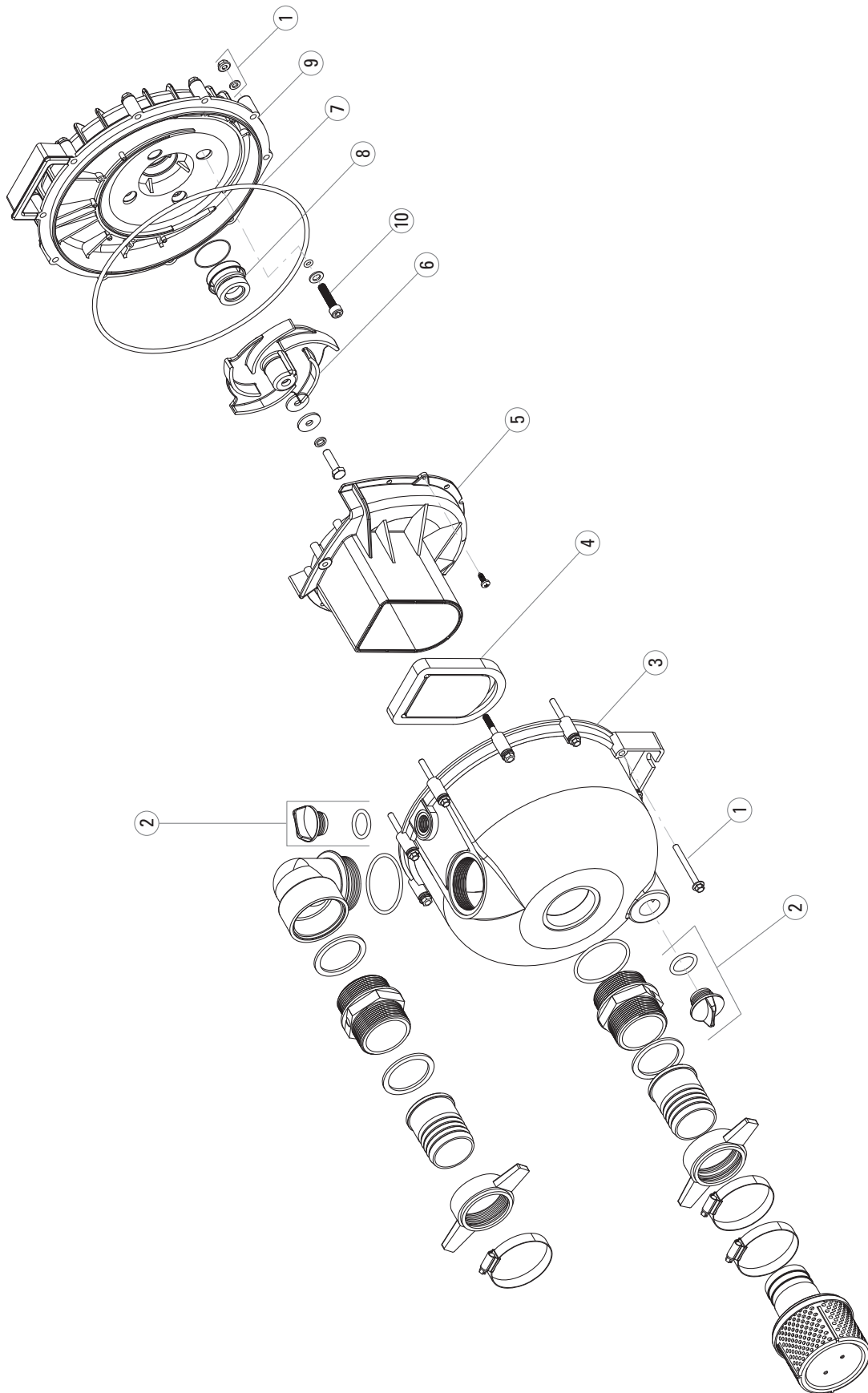
WP 3" VOLUME PUMP

| ITEM NO. | PART DESCRIPTION | PART NO. | LIST PRICE |
|----------|---|----------|------------|
| 1 | Screw, Set, M10 x 25, & Washer Assembly, (set of 3) | | \$10.00 |
| 2 | Suction Flange | 203056 | \$60.00 |
| 3 | Valve, Clacker | 203057 | \$40.00 |
| 4 | Bolt, M10 x 50, MS, (set of 4) | | \$20.00 |
| 5 | Plug, & O-ring, Drain | 203050 | \$20.00 |
| 6 | Casing | 203051 | \$150.00 |
| 7 | Gasket, Discharge Flange | 203058 | \$20.00 |
| 8 | Discharge Flange | 203059 | \$60.00 |
| 9 | Screw, Set, M10 x 30, & Washer Assembly, (set of 4) | | \$10.00 |
| 10 | Plug, 1" BSP, & O-ring | 101571 | \$20.00 |
| 11 | O-ring, Diffuser-Casing | 201336 | \$20.00 |
| 12 | Diffuser | 203052 | \$90.00 |
| 13 | Impeller | 103201 | \$80.00 |
| 14 | Seal, Mechanical | 200099 | \$50.00 |
| 14 | Seal, Mechanical, Viton | V200099 | \$60.00 |
| 15 | Bolt & O-ring (x4), 5/16" UNF x 1½", Honda | 101851 | \$35.00 |
| 15 | Bolt & O-ring (x4), M8 x 38.5, Yanmar | 101852 | \$35.00 |
| 16 | O-ring, Casing | 201268 | \$20.00 |
| 17 | Yoke | 103210 | \$120.00 |
| 18 | Nut, M10, S/S, (set of 4) | 202002 | \$10.00 |

Add GST to above prices. June 2024 – Category A Discount

Engine Drive Pumps

MOULDED CHEMICAL PUMP





Engine Drive Pumps

MCP 3"

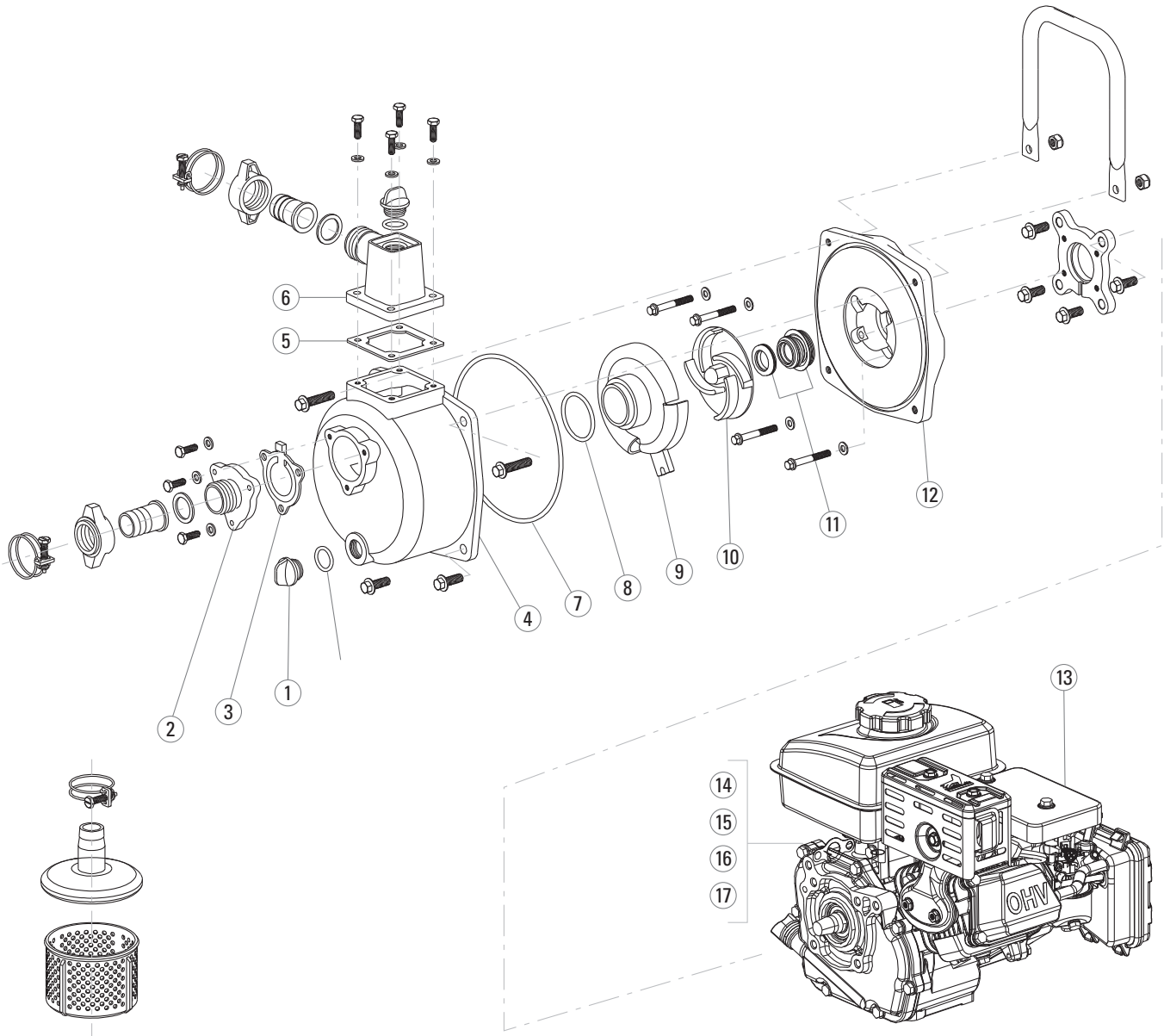
MCP 2"

| ITEM NO. | PART DESCRIPTION | PART NO. | LIST PRICE | PART NO. | LIST PRICE |
|----------|---|----------|------------|----------|------------|
| 1 | Screw & Washer nut, M6, (set of 10) | | \$30.00 | | \$30.00 |
| 2 | Plug, 3/4" BSP, Drain, (& O-ring), MCP | 203077 | \$20.00 | 203077 | \$20.00 |
| 3 | Casing | 203073 | \$150.00 | 203070 | \$120.00 |
| 4 | Valve, Clacker | 203072 | \$40.00 | 203072 | \$40.00 |
| 5 | Diffuser | 203078 | \$90.00 | 203071 | \$80.00 |
| 6 | Impeller | 103205 | \$80.00 | 103203 | \$80.00 |
| 7 | Casing "O" ring / "D" ring | 201375 | \$20.00 | 201375 | \$20.00 |
| 8 | Seal, Mechanical | V203073 | \$80.00 | V203073 | \$80.00 |
| 9 | Yoke | 203074 | \$110.00 | 203074 | \$110.00 |
| | Spacer, MCP yoke, (set of 4) | 102925 | \$30.00 | 102925 | \$30.00 |
| 10 | Bolt & O-ring, Viton, 5/16" UNF x 1 1/2", Honda, (set of 4) | 101851 | \$35.00 | 101851 | \$35.00 |
| 10 | Bolt & O-ring, Viton, M8 x 38.5, Yanmar, (set of 4) | 101852 | \$35.00 | 101852 | \$35.00 |
| 10 | O-ring, Viton, 8 x 2.6, (set of 4) | V201109 | \$20.00 | V201109 | \$20.00 |

Add GST to above prices. June 2024 – Category A Discount

Engine Drive Pumps

HM200





Engine Drive Pumps

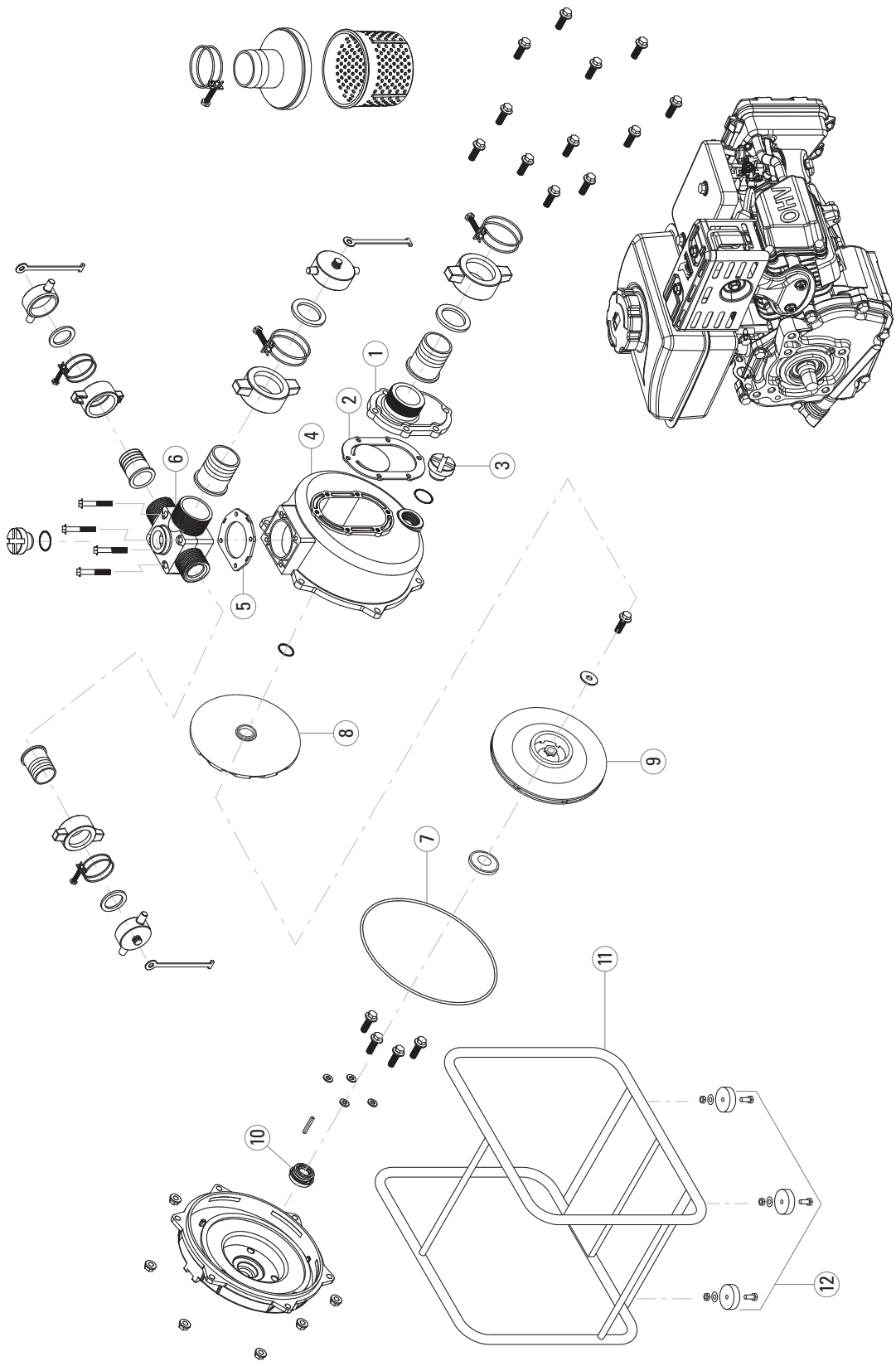
HM200

| ITEM NO. | PART DESCRIPTION | PART NO. | LIST PRICE |
|----------|---------------------------------------|----------|------------|
| 1 | Plug, ½" BSP, Drain, & O-ring, 20 x 2 | 203022 | \$10.00 |
| 2 | Flange, Suction | 203028 | \$40.00 |
| 3 # | Valve, Clacker | | # |
| 4 | Casing | 203020 | \$80.00 |
| 5 # | Gasket, Discharge | | # |
| 6 | Flange, Discharge | 203029 | \$55.00 |
| 7 # | O-ring, Casing | | \$10.00 |
| 8 # | O-ring, Diffuser | | # |
| 9 | Diffuser | | \$80.00 |
| 10 | Impeller | 203021 | \$60.00 |
| 11 # | Seal, Shaft, Viton | V203231 | \$60.00 |
| # | Seal Kit, HM200 (Viton) | HM-VK | \$80.00 |
| | Roll Frame, WP | | P.O.A. |
| 12 | Base with Rubber Mounts | | P.O.A. |
| 13 | Engine, Loncin 2hp Petrol | | P.O.A. |
| 14 | Air Filter | 203026 | \$30.00 |
| 15 | Spark Plug | 203025 | \$30.00 |
| 16 | Starter Recoil Assembly | 203023 | \$80.00 |
| 17 | On-Off Switch | 203024 | \$40.00 |

Add GST to above prices. June 2024 – Category A Discount

Engine Drive Pumps

HP500





Engine Drive Pumps

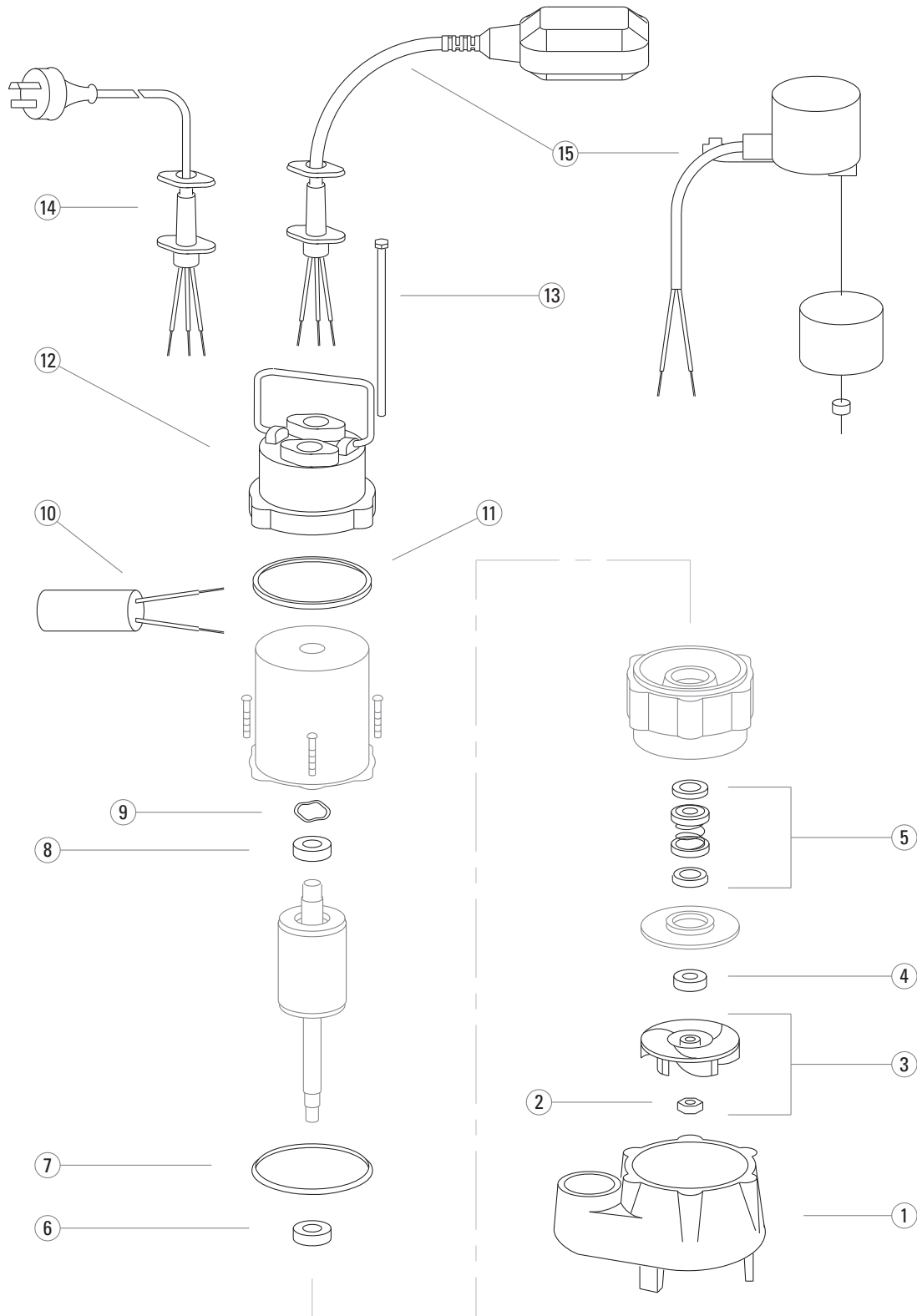
HP500

| ITEM NO. | PART DESCRIPTION | PART NO. | LIST PRICE |
|----------|--------------------------|----------|------------|
| 1 | Suction Flange | 203097 | \$50.00 |
| 2 | Valve, Clacker | 203091 | \$30.00 |
| 3 | Plug, & O-ring, Drain | | |
| 4 | Casing | 203094 | \$130.00 |
| 5 | Gasket, Discharge | 203092 | \$20.00 |
| 6 | Discharge Flange | 203093 | \$60.00 |
| 7 | O-ring, Casing | 203095 | \$20.00 |
| 8 | Diffuser | 203096 | \$90.00 |
| 9 | Impeller | 110740 | \$100.00 |
| 10 | Seal, Mechanical | 203090 | \$50.00 |
| 11 | Frame, Roll, HP | | |
| 12 | Rubber Mounts (set of 4) | | |

Add GST to above prices. June 2024 – Category A Discount

Submersible Pumps

SP100 / SP100M / SP100V





Submersible Pumps

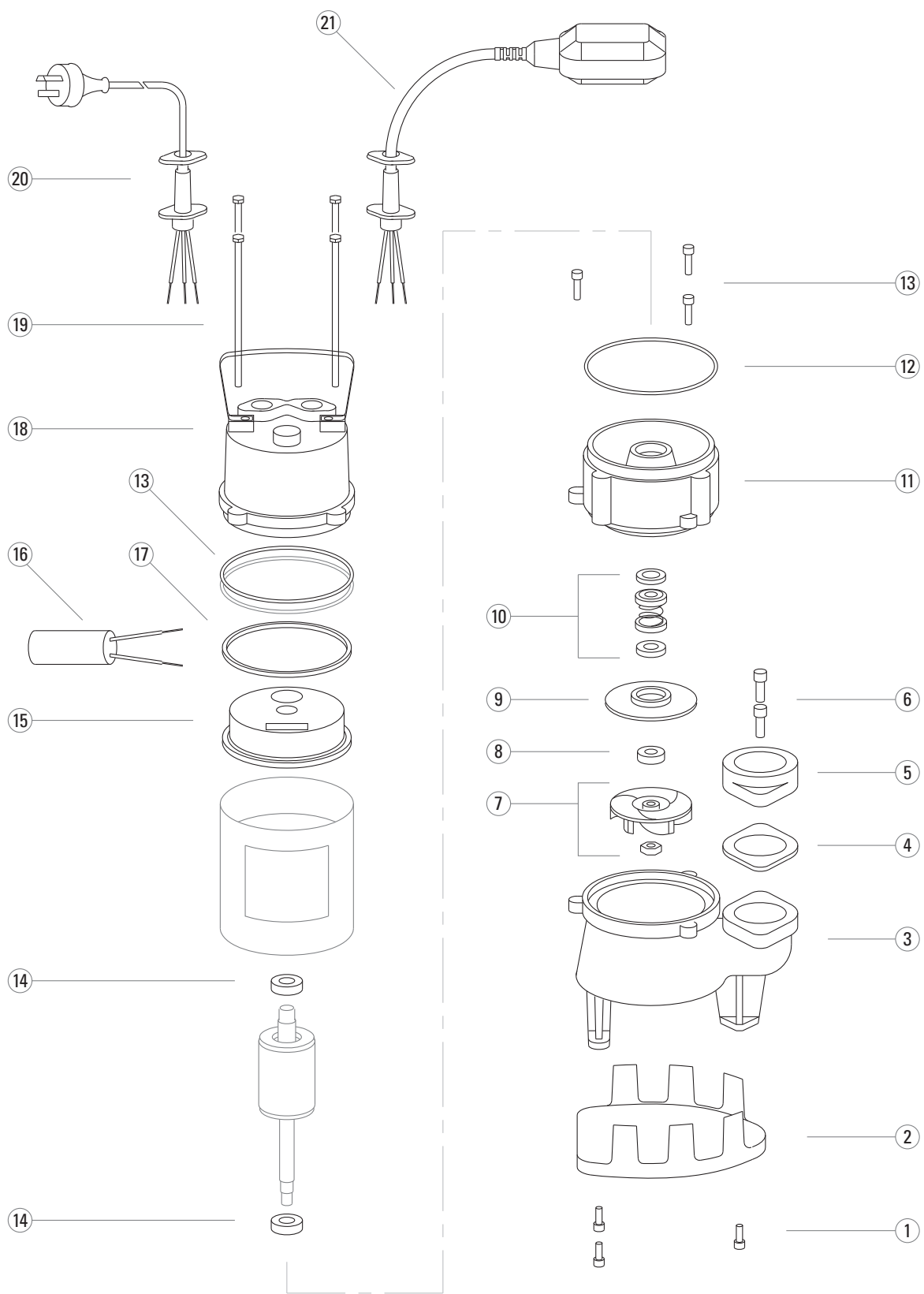
SP100 / SP100M / SP100V

| ITEM NO. | PART DESCRIPTION | PART NO. | LIST PRICE |
|----------|-------------------------------|----------|------------|
| 1 | Volute | 200401 | \$60.00 |
| 2 | Nut, M8 | | \$5.00 |
| 3 | Impeller & Nut | 200402 | \$50.00 |
| 4 | Seal, Lip | 200403 | \$10.00 |
| 5 | Seal, Mechanical | 200404 | \$60.00 |
| 6 | Bearing, 6201 | 200011 | \$35.00 |
| 7 | Ring, Compression, Motor-Base | 200407 | \$10.00 |
| 8 | Bearing, 6200 | 200405 | \$35.00 |
| 9 | Washer, Wave | 200419 | \$10.00 |
| 10 | Capacitor, 8 μ F | 200024 | \$45.00 |
| 11 | Ring, Compression, Lid | 200415 | \$10.00 |
| 12 | Lid, & Handle | 200416 | \$80.00 |
| 13 | Bolt, Thru (set of 3) | 200406 | \$10.00 |
| 14 | Lead, Power, Assembly | 200418 | \$70.00 |
| 15 | Float Switch, Assembly | 200417 | \$80.00 |
| 15 | Float, Vertical, no gland | 200710 | \$100.00 |

Add GST to above prices. June 2024 – Category A Discount

Submersible Pumps

SP140

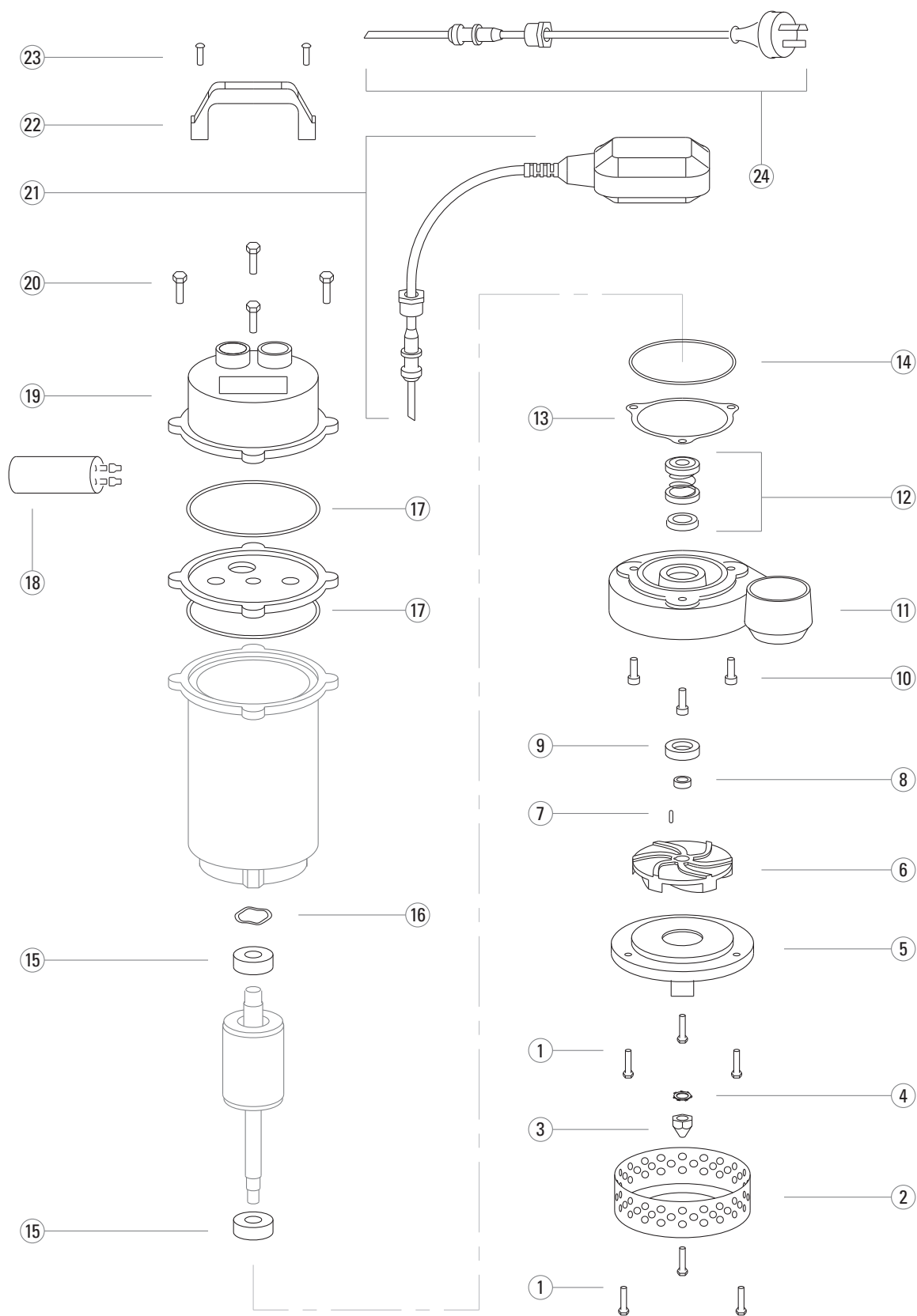


SP140

| ITEM NO. | PART DESCRIPTION | PART NO. | LIST PRICE |
|----------|---|----------|------------|
| 1 | Screw, Alan Head Cap, M5 x 12, S/S (set of 3) | | \$10.00 |
| 2 | Base | | \$50.00 |
| 3 | Volute | 200501 | \$70.00 |
| 4 | Gasket, Discharge Flange | 200502 | \$10.00 |
| 5 | Flange, Threaded | 200503 | \$30.00 |
| 6 | Screw, Alan Head Cap, M8 x 20, S/S (set of 2) | | \$10.00 |
| 7 | Impeller & Nut | 200504 | \$50.00 |
| 8 | Seal, Lip | 200505 | \$10.00 |
| 9 | Retainer, Seal | | P.O.A. |
| 10 | Seal, Mechanical | 200506 | \$60.00 |
| 11 | Chamber, Seal | | P.O.A. |
| 12 | O-ring | 201158 | \$10.00 |
| 13 | Screw, Alan Head Cap, M5 x 20, S/S (set of 3) | | \$10.00 |
| 14 | Bearing, 6202 | 200039 | \$35.00 |
| 15 | Plate, Bearing | | P.O.A. |
| 16 | Capacitor, 16 μ F | 200392 | \$50.00 |
| 17 | Ring, Compression, Lid | 200507 | \$10.00 |
| 18 | Lid, & Handle | | \$90.00 |
| 19 | Bolt, Thru (set of 4) | | \$10.00 |
| 20 | Lead, Power, Assembly | 200511 | \$90.00 |
| 21 | Float Switch, Assembly | 200510 | \$80.00 |

Submersible Pumps

SP213 / SP213M / SP213V



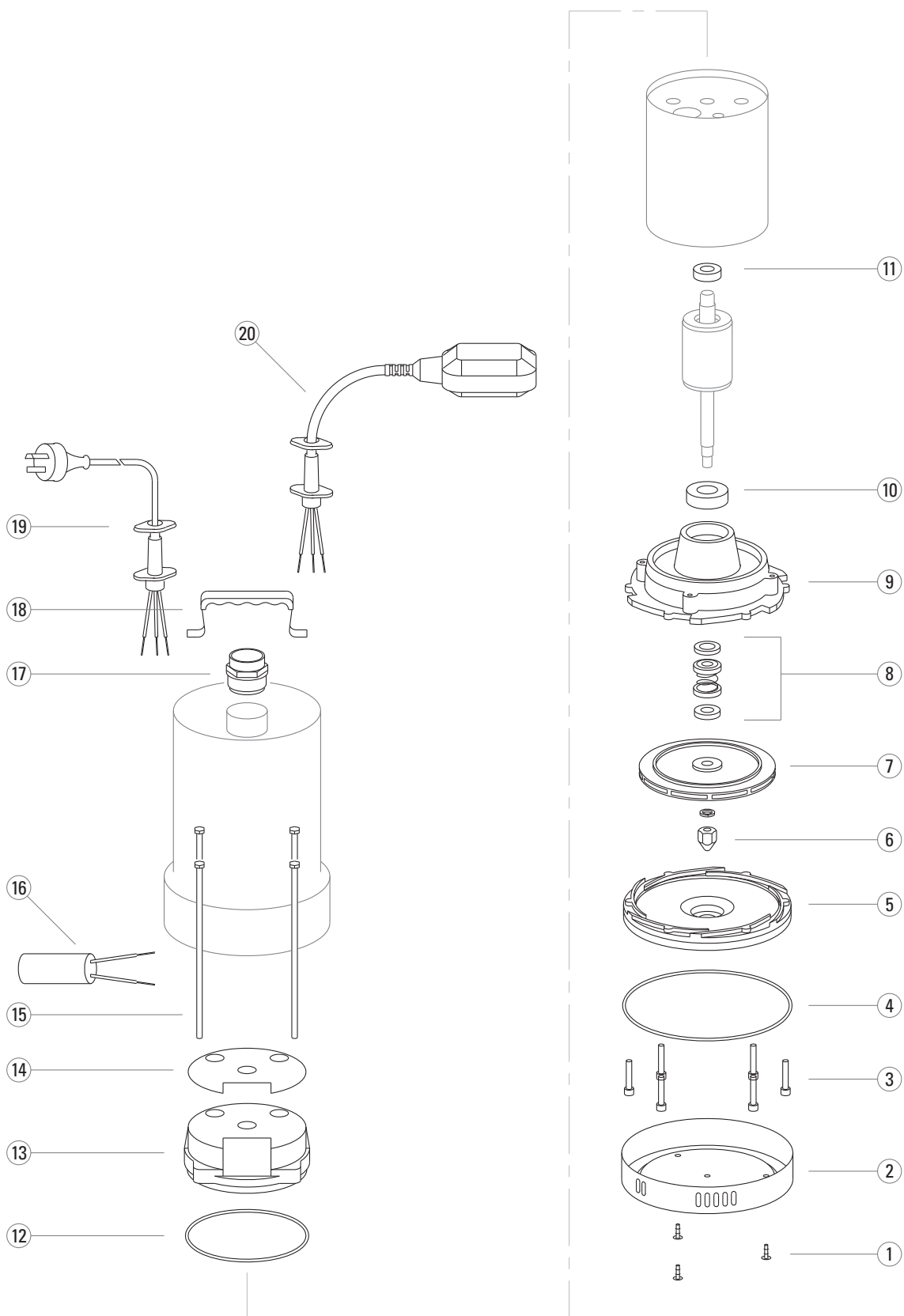
SP213 / SP213M / SP213V

| ITEM NO. | PART DESCRIPTION | PART NO. | LIST PRICE |
|----------|----------------------------------|----------|------------|
| 1 | Screw, Set, S/S (set of 4) | 200062 | \$10.00 |
| 2 | Screen, Suction, S/S | 200106 | \$35.00 |
| 3 | Nut, Lock | 200105 | \$10.00 |
| 4 | Washer, Lock | 200066 | \$10.00 |
| 5 | Plate, Suction | 200397 | \$50.00 |
| 6 | Impeller | 110413 | \$70.00 |
| 7 | Key | 200010 | \$5.00 |
| 8 | Bush, Shaft | 100434 | \$10.00 |
| 9 | Seal, Lip | 200118 | \$10.00 |
| 10 | Screw, S/S (set of 4) | 200334 | \$10.00 |
| 11 | Volute | 200398 | \$70.00 |
| 12 | Seal, Mechanical, 14mm | 200119 | \$60.00 |
| 13 | Gasket, Paper, Casing Lower-Body | 200135 | n/a |
| 14 | O-ring | 200108 | \$10.00 |
| 15 | Bearing, 6202 | 200039 | \$35.00 |
| 16 | Washer, Wave | 200053 | \$10.00 |
| 17 | O-ring | 200109 | \$10.00 |
| 18 | Capacitor, 12µF | 200045 | \$50.00 |
| 19 | Lid, (O-ring seal) | | \$110.00 |
| 20 | Screw, Set, S/S (set of 4) | 200327 | \$10.00 |
| 21 | Float Switch, Assembly | 200110 | \$85.00 |
| | Float, Vertical, no gland | 200710 | \$100.00 |
| 22 | Handle | 200113 | \$10.00 |
| 23 | Screw, M5 x 16, S/S (set of 4) | 200334 | \$10.00 |
| 24 | Lead, Power, Assembly | 200456 | \$90.00 |

Add GST to above prices. June 2024 – Category A Discount

Submersible Pumps

SP334 / SP334M



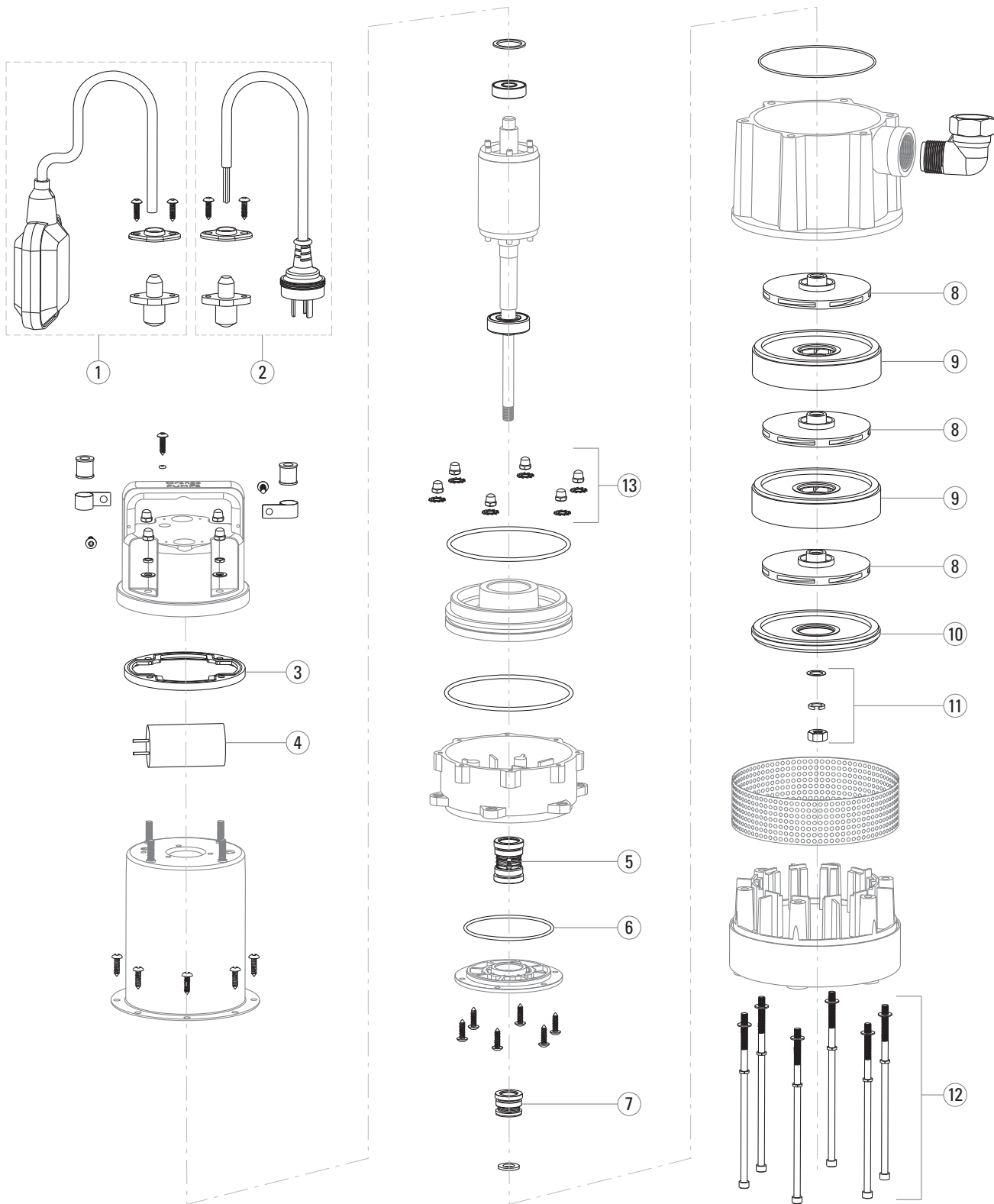
SP334 / SP334M

| ITEM NO. | PART DESCRIPTION | PART NO. | LIST PRICE |
|----------|--|----------|------------|
| 1 | Screw, Pan Head, Self-tap (set of 3) | | \$10.00 |
| 2 | Screen, Suction | 200540 | \$50.00 |
| 3 | Screw, Alan Head Cap, M5 x 30 (set of 6) | | \$10.00 |
| 4 | O-ring, Diffuser | 201875 | \$10.00 |
| 5 | Diffuser | 200541 | \$50.00 |
| 6 | Dome Nut, M10 | | \$10.00 |
| 7 | Impeller | 200542 | \$80.00 |
| | Key | 200136 | \$5.00 |
| 8 | Seal, Mechanical, 14mm | 200119 | \$60.00 |
| 9 | Bearing Plate | | N/A |
| 10 | Bearing, 6204 | 200336 | \$40.00 |
| 11 | Bearing, 6202 | 200039 | \$35.00 |
| 12 | O-ring, 126 x 3mm, Top Plate SP334 | 201826 | \$10.00 |
| 13 | Top Plate | | N/A |
| 14 | Gasket | 200543 | \$10.00 |
| 15 | Bolt, Thru (set of 4) | 200544 | \$15.00 |
| 16 | Capacitor, 25µF | 200414 | \$60.00 |
| 17 | Bush, Reducing, 32 x 25mm BSP, Discharge | 200548 | \$10.00 |
| 18 | Handle | | \$10.00 |
| 19 | Lead, Power, Assembly | 200546 | \$90.00 |
| 20 | Float Switch, Assembly | 200545 | \$85.00 |

Add GST to above prices. June 2024 – Category A Discount

Submersible Pumps

SP420





Submersible Pumps

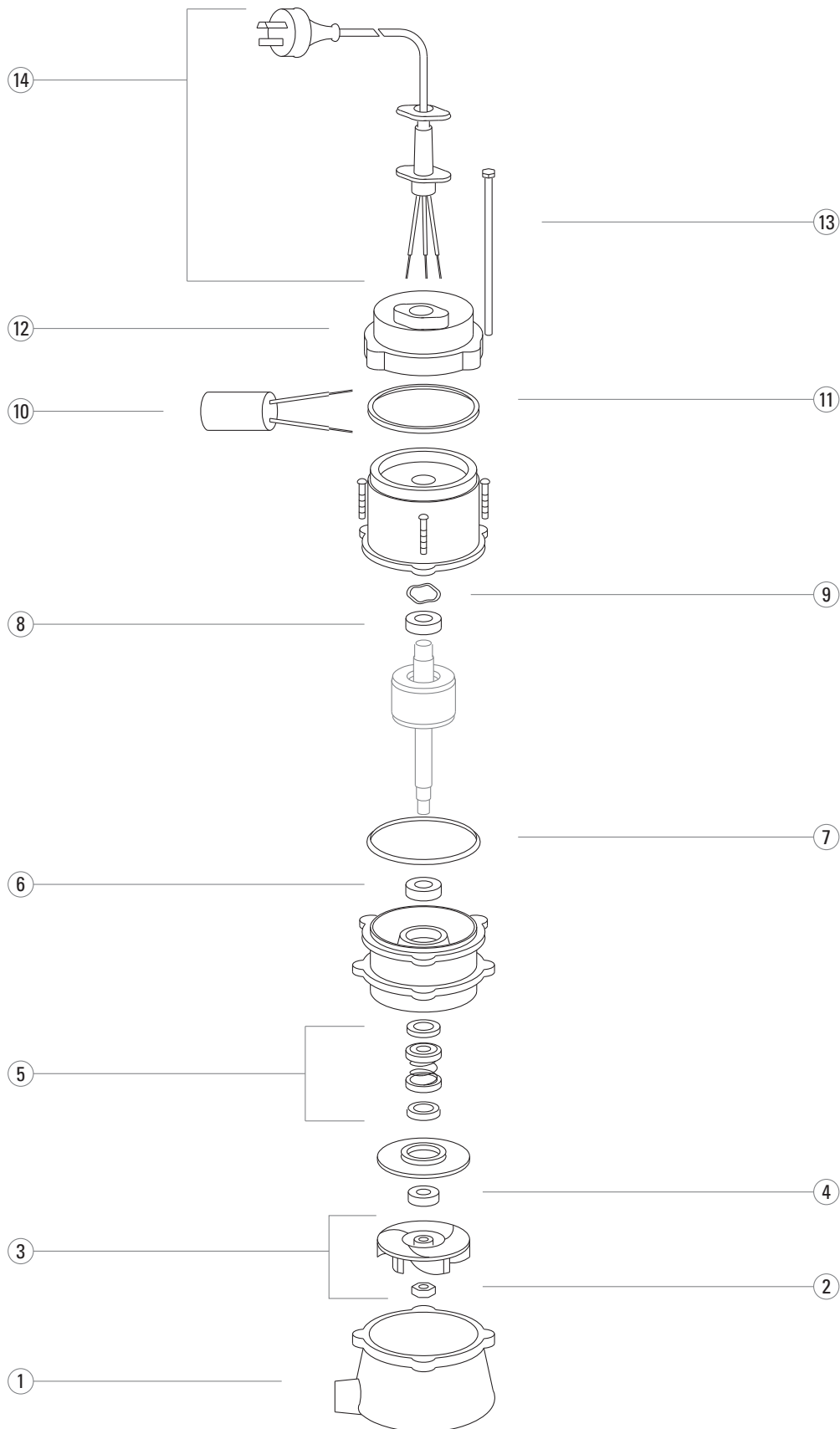
SP420

| ITEM NO. | PART DESCRIPTION | PART NO. | LIST PRICE |
|----------|---------------------------------------|----------|------------|
| 1 | Float Switch, Assembly | 200748 | \$80.00 |
| 2 | Lead, Power, Assembly | 200747 | \$90.00 |
| 3 | Gasket, Lid | 200749 | \$15.00 |
| 4 | Capacitor, 18 μ F | 200533 | \$55.00 |
| 5 | Seal, Mechanical, Oil Bath | 200746 | \$60.00 |
| 6 | O-ring | 200108 | \$10.00 |
| 7 | Seal, Mechanical | 200745 | \$40.00 |
| 8 | Impeller | 200741 | \$50.00 |
| 9 | Diffuser | 200742 | \$50.00 |
| 10 | Diffuser Plate | 200743 | \$30.00 |
| 11 | Lock Nut & Washer Assembly | 200744 | \$10.00 |
| 12 | Bolt, Thru, Assembly (set of 6) | | \$30.00 |
| 13 | Dome Nut & Washer Assembly (set of 6) | | \$15.00 |

Add GST to above prices. June 2024 – Category A Discount

Submersible Pumps

SF50





Submersible Pumps

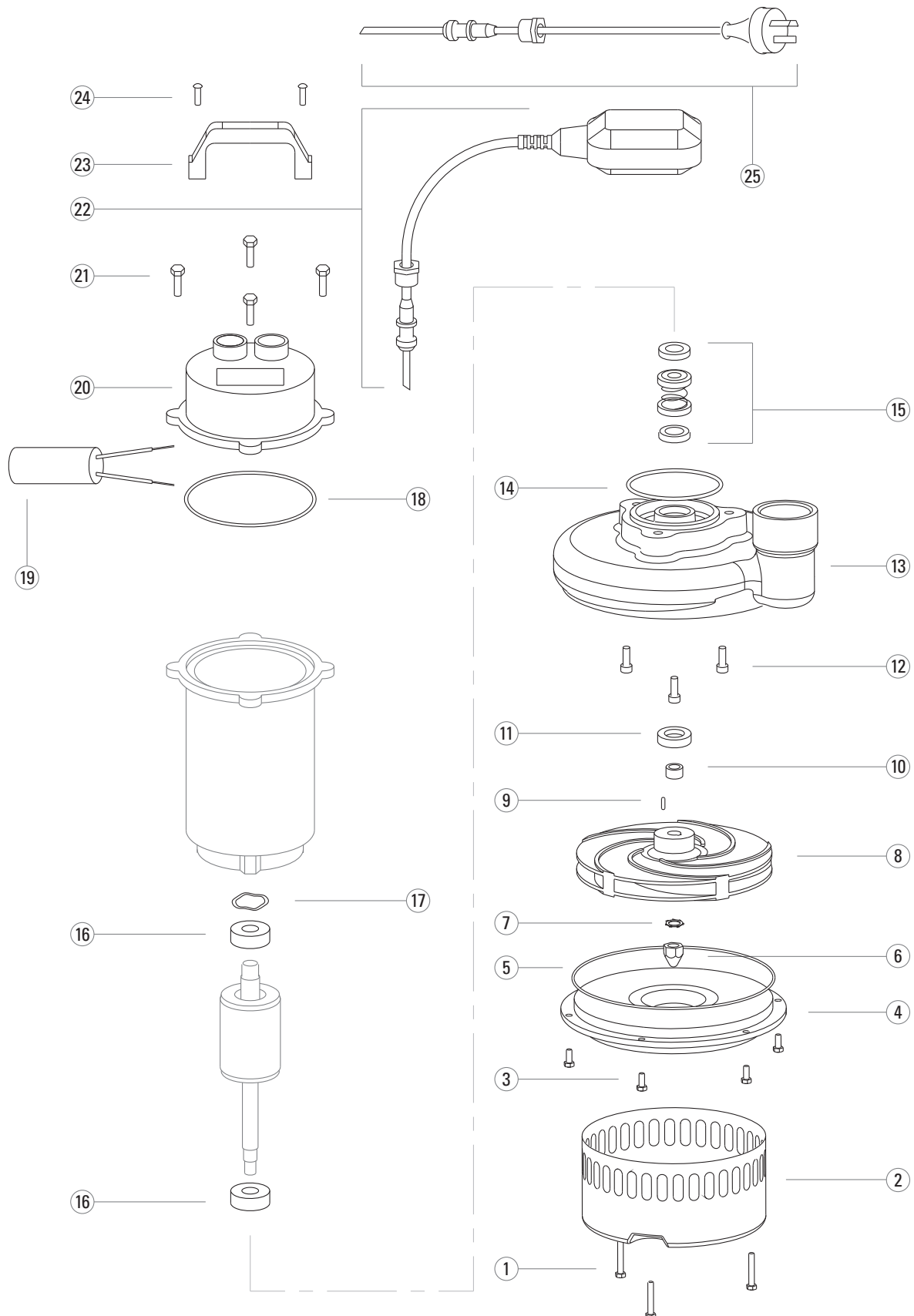
SF50

| ITEM NO. | PART DESCRIPTION | PART NO. | LIST PRICE |
|----------|-------------------------------|----------|------------|
| 1 | Volute | | \$60.00 |
| 2 | Nut, M8 | | \$10.00 |
| 3 | Impeller & Nut | 200411 | \$50.00 |
| 4 | Seal, Lip | 200403 | \$10.00 |
| 5 | Seal, Mechanical | 200404 | \$60.00 |
| 6 | Bearing, 6201 | 200011 | \$35.00 |
| 7 | Ring, Compression, Motor-Base | 200407 | \$10.00 |
| 8 | Bearing, 6200 | 200405 | \$35.00 |
| 9 | Washer, Wave | 200419 | \$10.00 |
| 10 | Capacitor, 3 μ F | 200413 | \$40.00 |
| 11 | Ring, Compression, Lid | 200415 | \$10.00 |
| 12 | Lid | | \$60.00 |
| 13 | Bolt, Thru (set of 3) | | \$10.00 |
| 14 | Lead, Power, Assembly | 200412 | \$70.00 |

Add GST to above prices. June 2024 – Category A Discount

Submersible Pumps

SF100 / SF100M

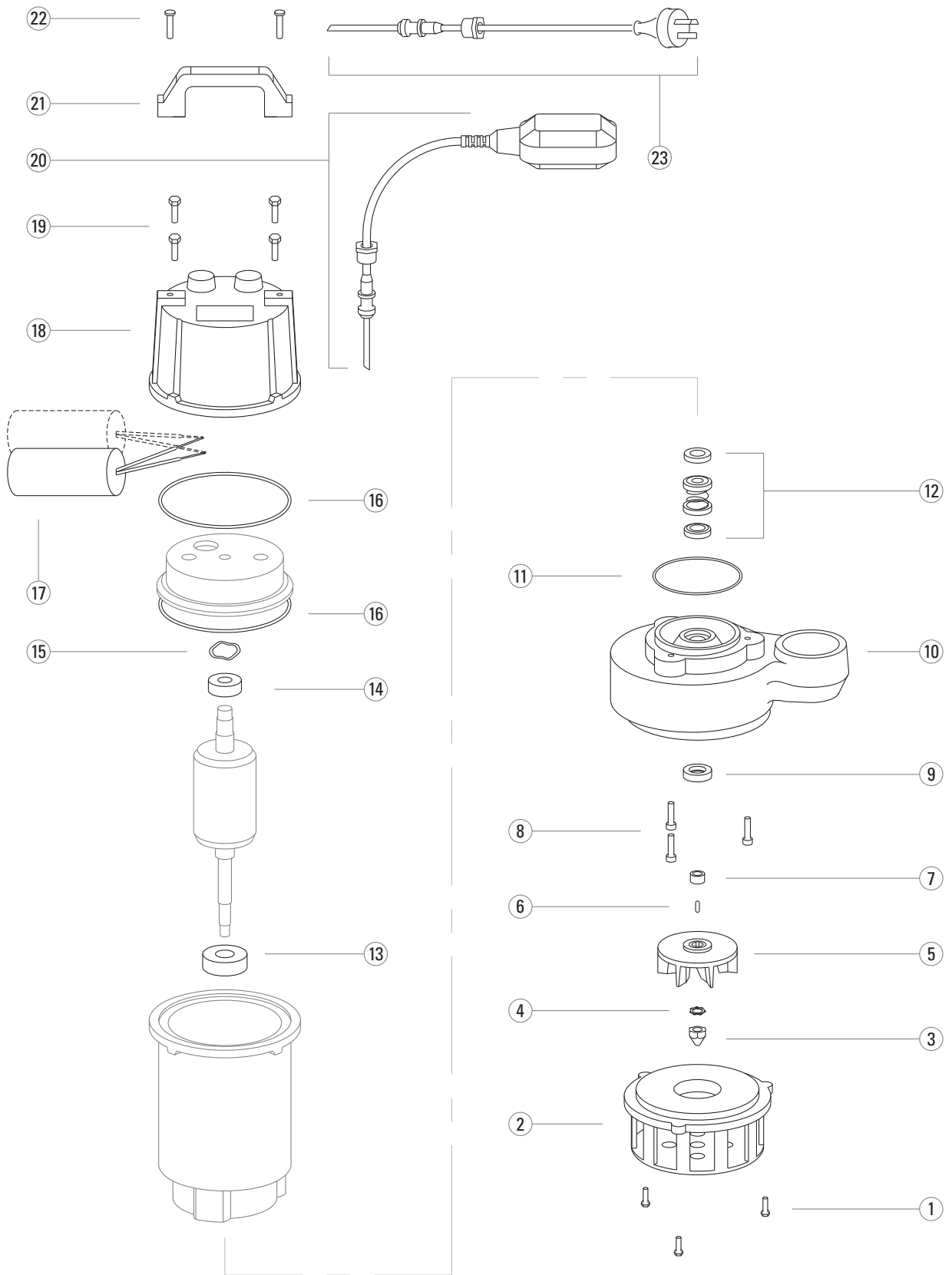


SF100 / SF100M

| ITEM NO. | PART DESCRIPTION | PART NO. | LIST PRICE |
|----------|--------------------------------|----------|------------|
| 1 | Bolt, S/S (set of 3) | 200532 | \$10.00 |
| 2 | Screen, Suction | 200530 | \$50.00 |
| 3 | Screw, Set, S/S (set of 6) | 202520 | \$10.00 |
| 4 | Plate, Suction | | \$60.00 |
| 5 | O-ring | 200531 | \$10.00 |
| 6 | Nut, Lock | 200105 | \$10.00 |
| 7 | Washer, Lock | 200066 | \$10.00 |
| 8 | Impeller | 103101 | \$90.00 |
| 9 | Key | 200010 | \$5.00 |
| 10 | Bush, Shaft, ID12 x 18 x 8 | 200120 | \$10.00 |
| 11 | Seal, Lip | 200118 | \$10.00 |
| 12 | Screw, S/S (set of 4) | 200329 | \$10.00 |
| 13 | Volute | | \$150.00 |
| 14 | O-ring | 200108 | \$10.00 |
| 15 | Seal, Mechanical, 14mm | 200119 | \$60.00 |
| 16 | Bearing, 6202 | 200039 | \$35.00 |
| 17 | Washer, Wave | 200053 | \$10.00 |
| 18 | O-ring | 200109 | \$10.00 |
| 19 | Capacitor, 18 μ F | 200533 | \$55.00 |
| 20 | Lid (Auto) | | \$110.00 |
| 20 | Lid (Manual) | | \$110.00 |
| 21 | Screw, Set, S/S (set of 4) | 200327 | \$10.00 |
| 22 | Float Switch, Assembly | 200110 | \$85.00 |
| 23 | Handle | 200113 | \$10.00 |
| 24 | Screw, M5 x 16, S/S (set of 4) | 200334 | \$10.00 |
| 25 | Lead, Power, Assembly | 200456 | \$90.00 |

Submersible Pumps

SP500 / SP600



Submersible Pumps

SP500

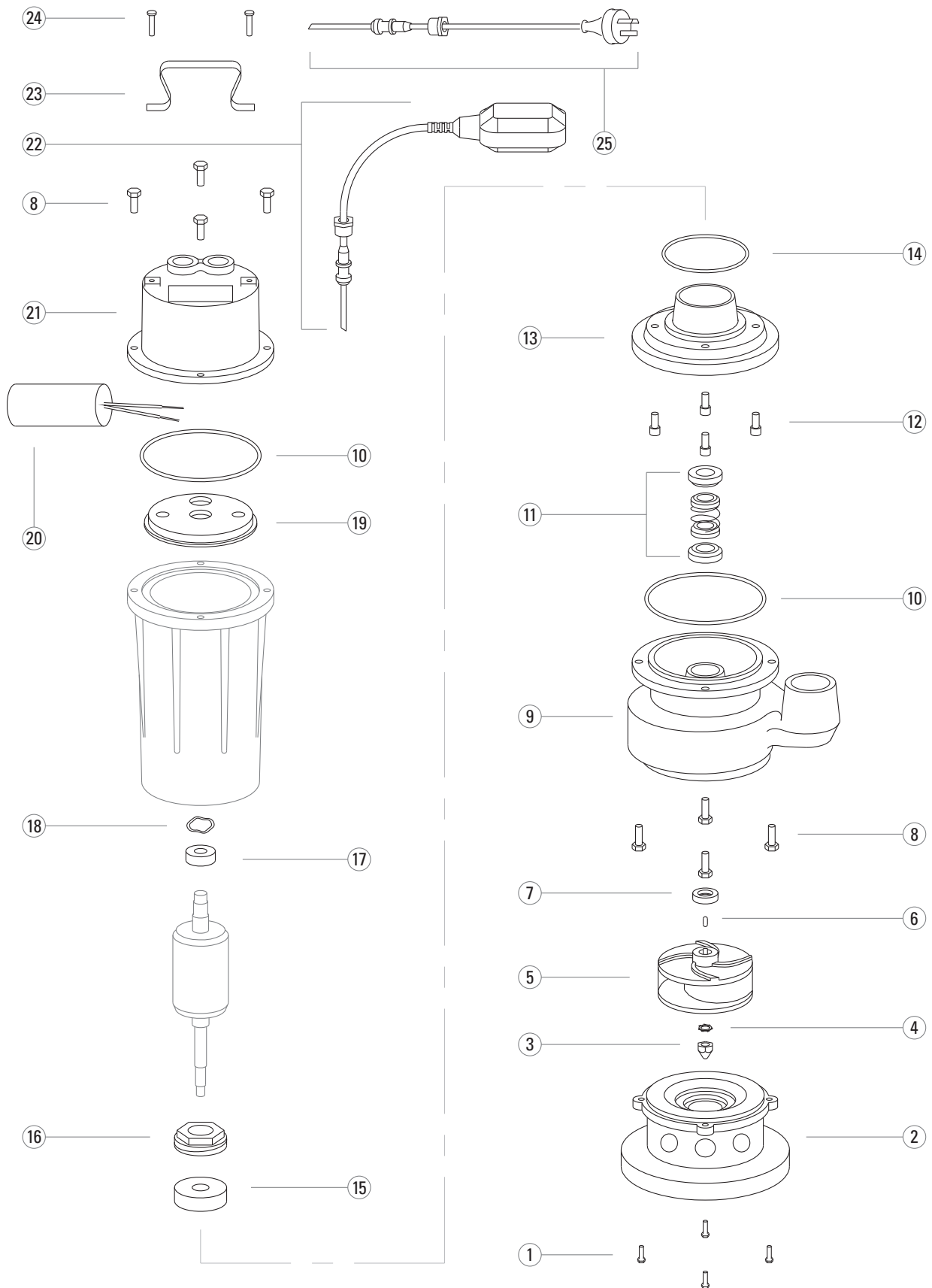
SP600

| ITEM NO. | PART DESCRIPTION | PART NO. | LIST PRICE | PART NO. | LIST PRICE |
|----------|--------------------------------|----------|------------|----------|------------|
| 1 | Screw, Set, S/S (set of 4) | 200327 | \$10.00 | 200327 | \$10.00 |
| 2 | Screen, Suction | 200139 | \$80.00 | 200139 | \$80.00 |
| 3 | Nut, Lock | 200105 | \$10.00 | 200105 | \$10.00 |
| 4 | Washer, Lock | 200066 | \$10.00 | 200066 | \$10.00 |
| 5 | Impeller | 200117 | \$80.00 | 200125 | \$70.00 |
| 6 | Key | 200136 | \$5.00 | 200136 | \$5.00 |
| 7 | Bush, Shaft, ID12 x 18 x 8 | 200120 | \$10.00 | 200120 | \$10.00 |
| 8 | Screw, S/S (set of 3) | 200335 | \$10.00 | 200335 | \$10.00 |
| 9 | Seal, Lip | 200118 | \$10.00 | 200118 | \$10.00 |
| 10 | Volute | 200143 | \$100.00 | 200143 | \$100.00 |
| 11 | O-ring | 200121 | \$10.00 | 200121 | \$10.00 |
| 12 | Seal, Mechanical, 14mm – 16mm | 200119 | \$50.00 | 200450 | \$60.00 |
| 13 | Bearing, 6204 | 200336 | \$40.00 | 200336 | \$40.00 |
| 14 | Bearing, 6202 | 200039 | \$35.00 | 200039 | \$35.00 |
| 15 | Washer, Wave | 200053 | \$10.00 | 200053 | \$10.00 |
| 16 | O-ring | 200061 | \$10.00 | 200061 | \$10.00 |
| 17 | Capacitor, 20µF | 200052 | \$55.00 | | |
| 17 | Capacitor, 16µF (x2 in pallel) | | | 200392 | \$50.00 |
| 18 | Lid (O-ring seal) | | \$110.00 | | \$110.00 |
| 19 | Screw, Set, S/S (set of 4) | 200327 | \$10.00 | 200327 | \$10.00 |
| 20 | Float Switch, Assembly | 200110 | \$85.00 | 200110 | \$85.00 |
| 21 | Handle | 200123 | \$10.00 | 200123 | \$10.00 |
| 22 | Screw, Set, S/S (set of 4) | 202625 | \$10.00 | 202625 | \$10.00 |
| 23 | Lead, Power, Assembly | 200456 | \$90.00 | 200456 | \$90.00 |

Add GST to above prices. June 2024 – Category A Discount

Submersible Pumps

SP617

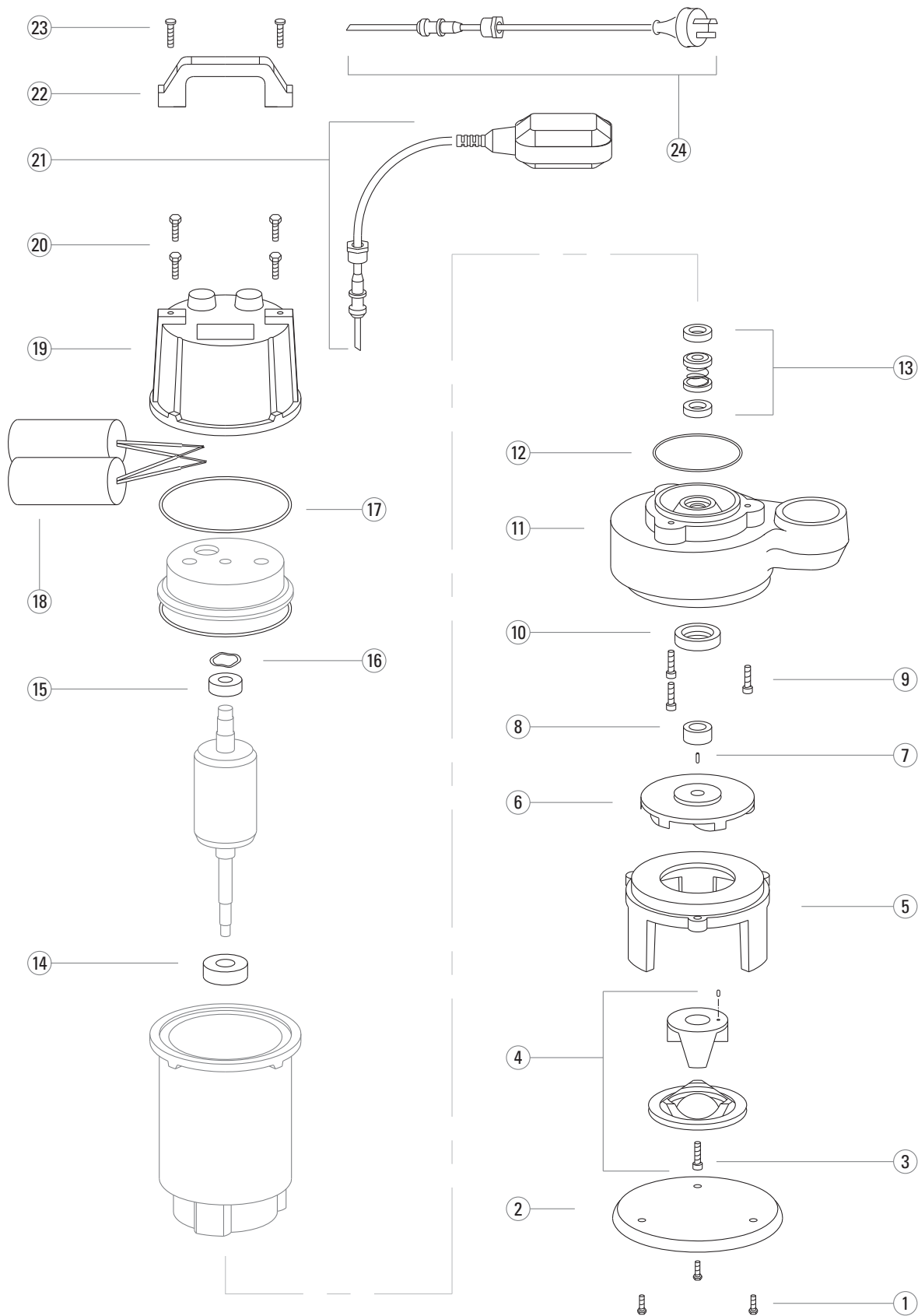


SP617

| ITEM NO. | PART DESCRIPTION | PART NO. | LIST PRICE |
|----------|---|----------|------------|
| 1 | Screw, Set, S/S (set of 4) | 200327 | \$10.00 |
| 2 | Stand, Suction | | P.O.A. |
| 3 | Nut, Lock | 200461 | \$10.00 |
| 4 | Washer, Lock | | P.O.A. |
| 5 | Impeller | 200462 | \$80.00 |
| 6 | Key | 200227 | \$5.00 |
| 7 | Seal, Lip | 200463 | \$10.00 |
| 8 | Screw, Set, S/S (set of 4) | 200038 | \$10.00 |
| 9 | Volute | | P.O.A. |
| 10 | O-ring | 200061 | \$10.00 |
| 11 | Seal, Mechanical, 20mm | 200451 | \$80.00 |
| 12 | Screw, Alan Head Cap, M8 x 20, S/S (set of 4) | | \$10.00 |
| 13 | Bearing Plate | | P.O.A. |
| 14 | O-ring, 96 x 3.5mm | 201240 | \$10.00 |
| 15 | Bearing, 6305 | 200237 | \$50.00 |
| 16 | Bearing Retainer | | P.O.A. |
| 17 | Bearing, 6204 | 200336 | \$40.00 |
| 18 | Washer, Wave | 200464 | \$10.00 |
| 19 | Bearing Plate | | P.O.A. |
| 20 | Capacitor, 16 μ F | 200392 | \$50.00 |
| 20 | Capacitor, 20 μ F | 200052 | \$55.00 |
| 21 | Lid | | P.O.A. |
| 22 | Float Switch, Assembly | 200590 | \$85.00 |
| 23 | Handle | | P.O.A. |
| 24 | Screw, Set, S/S (set of 4) | 200229 | \$10.00 |
| 25 | Lead, Power, Assembly | | \$90.00 |

Submersible Pumps

SP700G

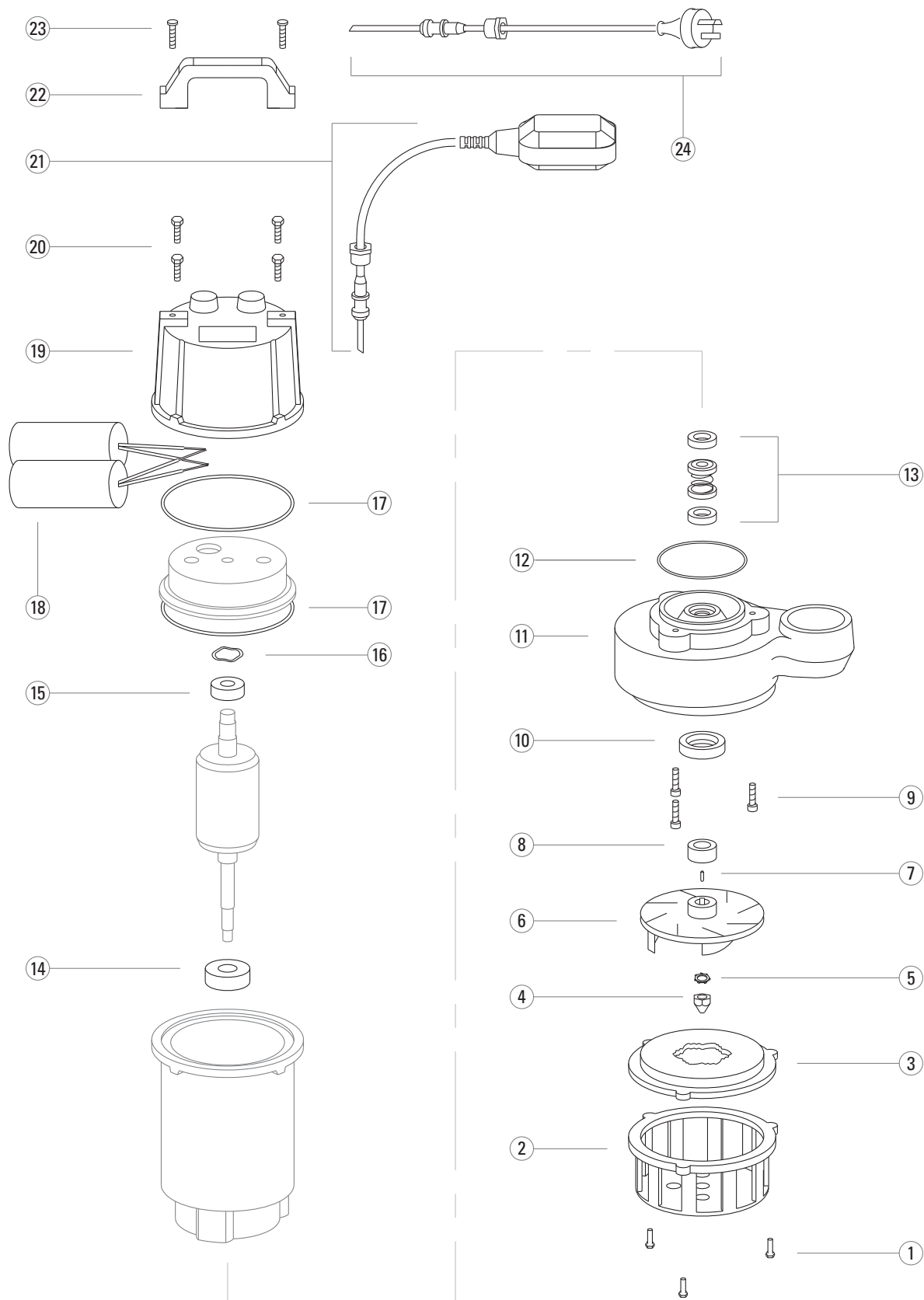


SP700G

| ITEM NO. | PART DESCRIPTION | PART NO. | LIST PRICE |
|----------|--|----------|------------|
| 1 | Screw, Pan Hd, M6 x 16, S/S (set of 3) | | \$10.00 |
| 2 | Plate, Base | 200441 | \$60.00 |
| 3 | Screw, Alan Head Cap, M5 x 25 | | \$10.00 |
| 4 | Grinder Assembly, includes Screw & Pin | 200442 | \$100.00 |
| 5 | Stand, Suction | 200443 | \$80.00 |
| 6 | Impeller | 200444 | \$70.00 |
| 7 | Key | 200394 | \$5.00 |
| 8 | Bush, Shaft | 200445 | \$10.00 |
| 9 | Screw, S/S (set of 3) | 200335 | \$10.00 |
| 10 | Seal, Lip | 200446 | \$10.00 |
| 11 | Volute | 200447 | \$100.00 |
| 12 | O-ring | 200121 | \$10.00 |
| 13 | Seal, Mechanical, 16mm | 200450 | \$70.00 |
| 14 | Bearing, 6204 | 200336 | \$40.00 |
| 15 | Bearing, 6202 | 200039 | \$35.00 |
| 16 | Washer, Wave | 200053 | \$10.00 |
| 17 | O-ring | 200061 | \$10.00 |
| 18 | Capacitor, 30µF | 200199 | \$60.00 |
| 19 | Lid (O-ring seal) | | \$110.00 |
| 20 | Screw, Set, S/S (set of 4) | 200327 | \$10.00 |
| 21 | Float Switch, Assembly | 200110 | \$85.00 |
| 22 | Handle | 200123 | \$10.00 |
| 23 | Screw, Set, S/S (set of 4) | 202625 | \$10.00 |
| 24 | Lead, Power, Assembly | 200456 | \$90.00 |
| 24 | Lead, Power, Assembly 415V | | \$90.00 |

Submersible Pumps

SPC700

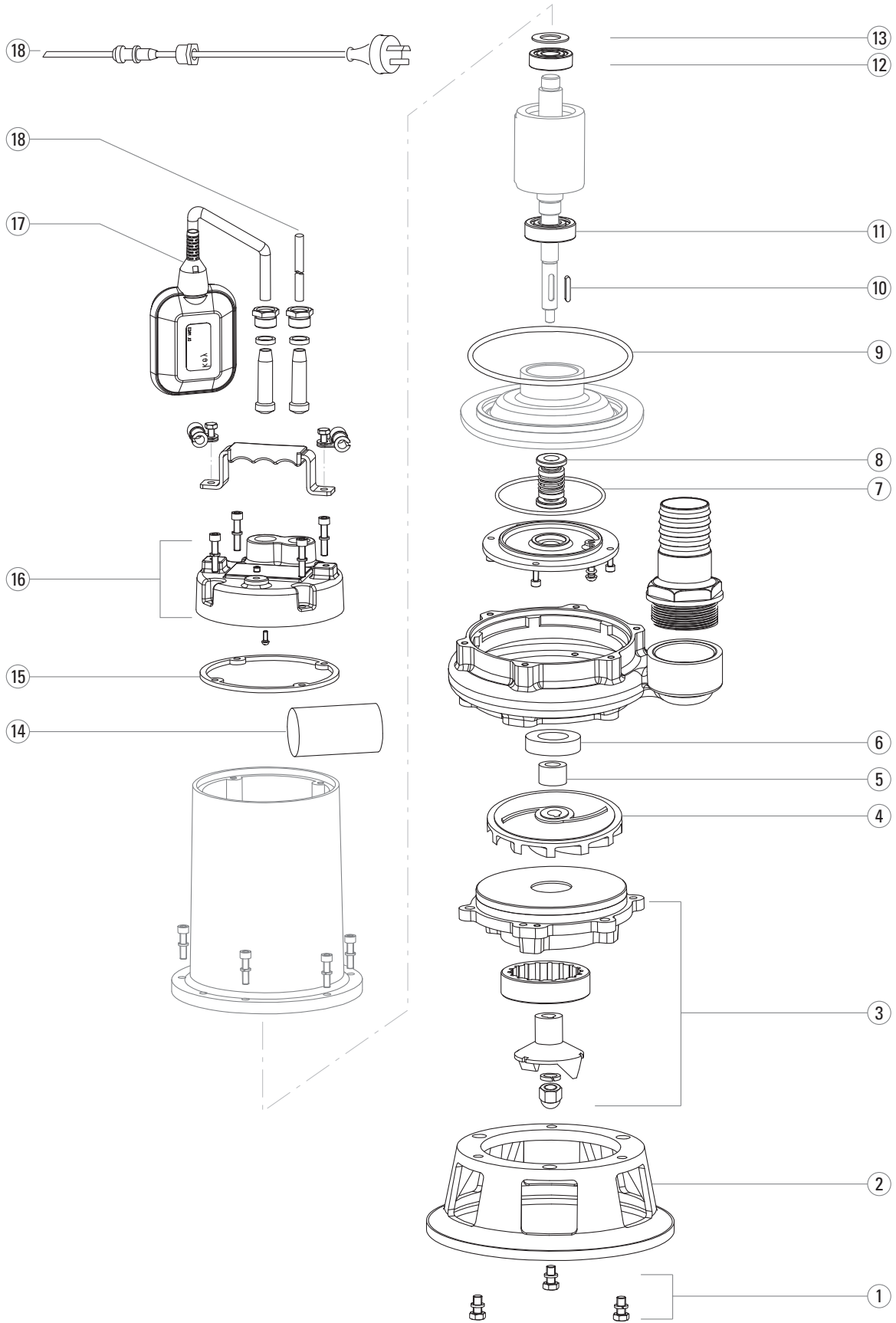


SPC700

| ITEM NO. | PART DESCRIPTION | PART NO. | LIST PRICE |
|----------|----------------------------|----------|------------|
| 1 | Screw, Set, S/S (set of 4) | 200327 | \$10.00 |
| 2 | Screen, Suction | 200491 | \$80.00 |
| 3 | Plate, Cutting | 200481 | \$80.00 |
| 4 | Nut, Lock | 200105 | \$10.00 |
| 5 | Washer, Lock | 200066 | \$10.00 |
| 6 | Impeller | 200492 | \$90.00 |
| 7 | Key | 200136 | \$5.00 |
| 8 | Bush, Shaft, ID12 x 18 x 8 | 200120 | \$10.00 |
| 9 | Screw, S/S (set of 3) | 200335 | \$10.00 |
| 10 | Seal, Lip | 200118 | \$10.00 |
| 11 | Volute | 200493 | \$100.00 |
| 12 | O-ring | 200121 | \$10.00 |
| 13 | Seal, Mechanical, 16mm | 200450 | \$70.00 |
| 14 | Bearing, 6204 | 200336 | \$40.00 |
| 15 | Bearing, 6202 | 200039 | \$35.00 |
| 16 | Washer, Wave | 200053 | \$10.00 |
| 17 | O-ring | 200061 | \$10.00 |
| 18 | Capacitor, 30µF | 200199 | \$60.00 |
| 19 | Lid (O-ring seal) | | \$110.00 |
| 20 | Screw, Set, S/S (set of 4) | 200327 | \$10.00 |
| 21 | Float Switch, Assembly | 200110 | \$85.00 |
| 22 | Handle | 200123 | \$10.00 |
| 23 | Screw, Set, S/S (set of 4) | 202625 | \$10.00 |
| 24 | Lead, Power, Assembly | 200456 | \$90.00 |
| 24 | Lead, Power, Assembly 415V | | \$90.00 |

Submersible Pumps

SPG-750

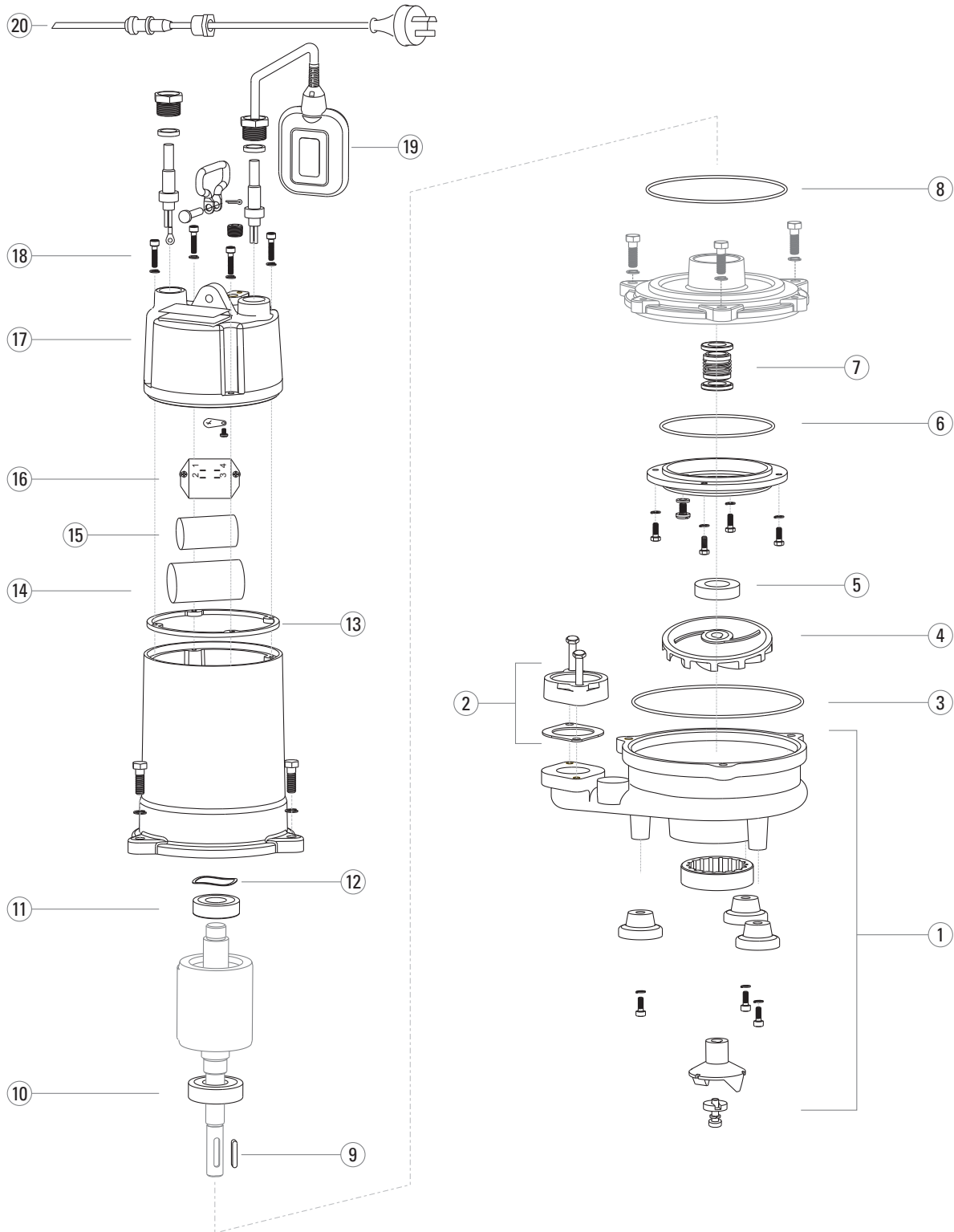


SPG-750

| ITEM NO. | PART DESCRIPTION | PART NO. | LIST PRICE |
|----------|------------------------------------|----------|------------|
| 1 | Set-Screw, M8 x 35, S/S (set of 3) | | \$10.00 |
| | Washer, 8mm (set of 3) | | \$10.00 |
| 2 | Stand/Screen | | \$100.00 |
| 3 | Grinder Assembly | 200581 | \$150.00 |
| 3 | Grinding Ring | N/A | |
| 4 | Impeller | 200582 | \$70.00 |
| 5 | Bush, Shaft | 200583 | \$10.00 |
| 6 | Seal, Lip | 200118 | \$10.00 |
| | Volute | | \$120.00 |
| | Seal retaining plate | | POA |
| 7 | O-ring, 96 x 3.5mm | 201240 | \$10.00 |
| 8 | Seal, Mechanical 16mm | 200450 | \$70.00 |
| | Bearing Plate | | POA |
| 9 | O-ring | 201254 | \$10.00 |
| 10 | Key | 200136 | \$5.00 |
| 11 | Bearing, 6204 | 200336 | \$40.00 |
| 12 | Bearing, 6202 | 200039 | \$35.00 |
| 13 | Washer, Wave | 200053 | \$10.00 |
| | Stator Assembly | N/A | |
| 14 | Capacitor, 25 μ F | 200414 | \$60.00 |
| 15 | Gasket, SPG-750 Lid | 200584 | \$15.00 |
| 16 | Lid Assembly | | \$110.00 |
| 17 | Float Switch, Assembly | 200110 | \$85.00 |
| 18 | Lead, Power, Assembly | 200589 | \$90.00 |

Submersible Pumps

SPG-1500 / SPG-2200





Submersible Pumps

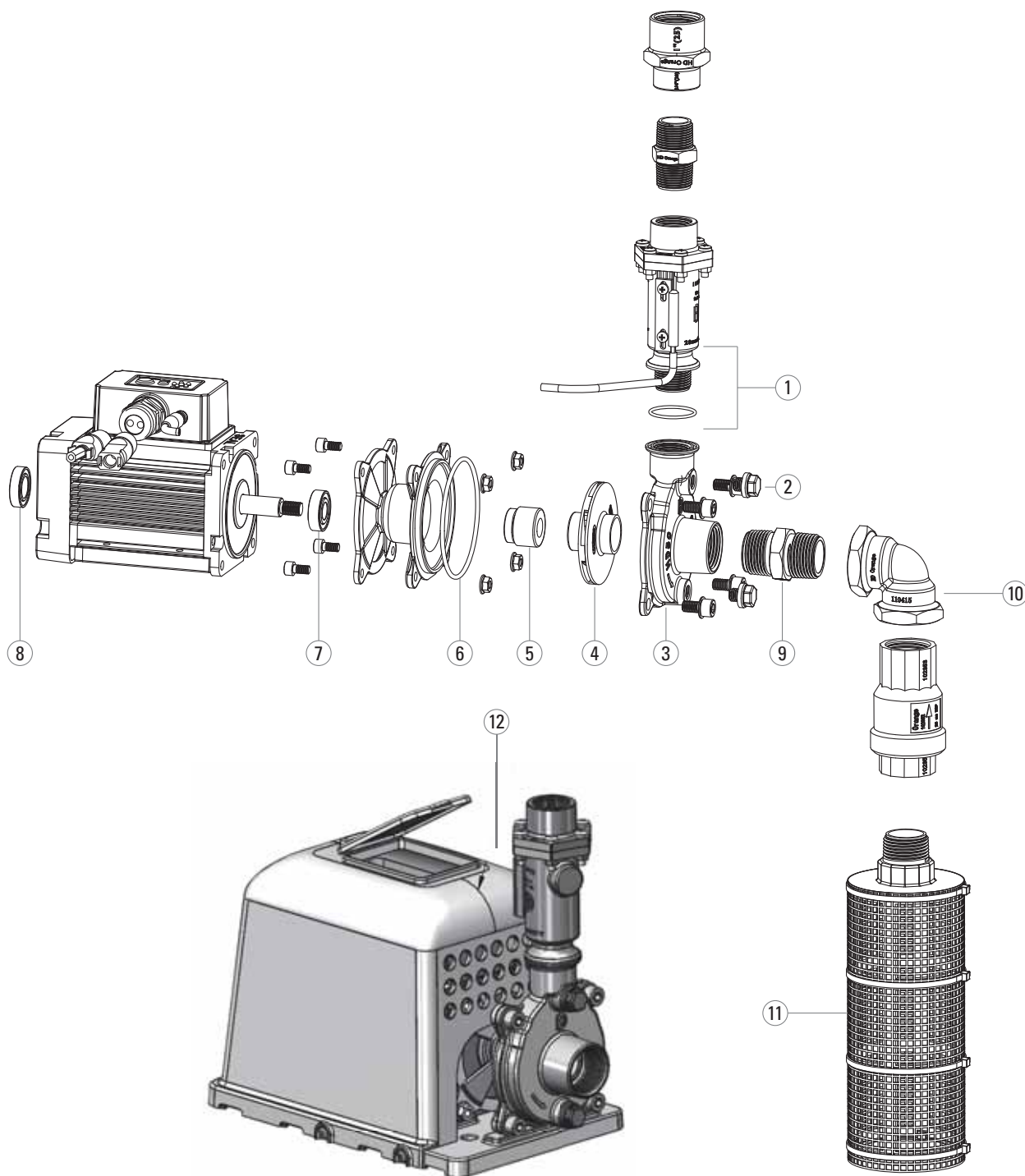
SPG-1500

SPG-2200

| ITEM NO. | PART DESCRIPTION | PART NO. | LIST PRICE | PART NO. | LIST PRICE |
|----------|--|----------|------------|----------|------------|
| 1 | Keeper & Screw | 200580 | \$8.00 | 200580 | \$8.00 |
| 1 | Volute & Grinder Assembly | 200593 | \$250.00 | 200593 | \$250.00 |
| 2 | Flange, 2" F Threaded, Gasket, Set-Screw | 200594 | \$40.00 | 200594 | \$40.00 |
| 3 | O-ring | 201264 | \$15.00 | 201264 | \$15.00 |
| 4 | Impeller | 200591 | \$80.00 | 200599 | \$80.00 |
| 5 | Seal, Lip | 200463 | \$10.00 | 200463 | \$10.00 |
| | Set-Screw, M6 x 16, S/S (set of 4) | | \$10.00 | | \$10.00 |
| | Seal Retaining Plate | N/A | POA | N/A | POA |
| 6 | O-ring, Oil Chamber SPG1500 | 201824 | \$10.00 | 201824 | \$10.00 |
| 7 | Seal, Mechanical 20mm | 200451 | \$80.00 | 200451 | \$80.00 |
| | Bearing Plate | N/A | | N/A | |
| | Set-Screw, M10 x 30, S/S (set of 3) | | \$10.00 | | \$10.00 |
| 8 | O-ring, 155 x 3mm, Bearing Plate-Stator | 201855 | \$10.00 | 201855 | \$10.00 |
| 9 | Key | 200394 | \$5.00 | 200394 | \$5.00 |
| 10 | Bearing, 6305 | 200237 | \$50.00 | 200237 | \$50.00 |
| | Circlip, Bore | 200597 | \$10.00 | 200597 | \$10.00 |
| 11 | Bearing, 6205 | 200194 | \$45.00 | 200194 | \$45.00 |
| 12 | Washer, Wave | 200196 | \$10.00 | 200196 | \$10.00 |
| 13 | Gasket, SPG-1500 Lid | 200588 | \$15.00 | 200588 | \$15.00 |
| 14 | Capacitor, 30µF | 200199 | \$55.00 | | |
| 15 | Capacitor, Start, 100µF | 200586 | \$70.00 | | |
| 16 | Relay, SPG-1500 | 200587 | \$120.00 | | |
| 17 | Lid | | \$110.00 | | \$110.00 |
| 18 | Set-Screw, M10 x 30, S/S (set of 6) | | \$10.00 | | \$10.00 |
| 19 | Float Switch, Assembly | 200590 | \$85.00 | | |
| 20 | Lead, Power, Assembly | 200592 | \$90.00 | | \$90.00 |
| 20 | Lead, Power, Assembly 415V | | | | \$90.00 |

Add GST to above prices. June 2024 – Category A Discount

Solar HD50





HD50 & COVER

| ITEM NO. | PART DESCRIPTION | PART NO. | LIST PRICE |
|----------|------------------------------|------------|------------|
| 1 | Flow Valve & O-ring | 110490 | \$80.00 |
| 2 | Plug, M10, Plastic, & O-ring | 101490 | \$10.00 |
| 3 | Casing | 110901 | \$100.00 |
| 4 | Impeller | 110903 | \$60.00 |
| 5 | Seal | 200912 | \$45.00 |
| 6 | O-ring, 82 x 3mm | 201782 | \$10.00 |
| 7 | Bearing 6902Z (Pump end) | 200914 | \$40.00 |
| 8 | Bearing 6001Z (Motor end) | 200915 | \$40.00 |
| 9 | Nipple, Plastic | 100720 | |
| 10 | Elbow, 1" BSP | 110415 | |
| 11 | Screen, Fine, 1" BSP | 110950 | |
| 12 | Cover & Base | Cover HD50 | \$100.00 |

Add GST to above prices. June 2024 – Category A Discount

Accessories



MP600-VF

MP1100-VF

| ITEM NO. | PART DESCRIPTION | PART NO. | LIST PRICE | PART NO. | LIST PRICE |
|----------|--|-----------|------------|----------|------------|
| 1 | Transducer, Press. 0-10Bar VF | 200899 | \$180.00 | 200899 | \$180.00 |
| 2 | Tee 5-Way with built in valve | 110830 | \$110.00 | 110830 | \$110.00 |
| 3 | Barrel Union, 1" | 200900 | \$60.00 | 200900 | \$60.00 |
| | Plug, 1/4", 304 Stainless steel & O-ring | 200910 | \$10.00 | 200910 | \$10.00 |
| 4 | Variable Frequency Drive | VF-0.75kW | \$590.00 | VF-1.5kW | \$650.00 |



Add GST to above prices. June 2024 – Category A Discount

1. This is an express warranty provided by Orange Pumps Pty Ltd ACN 18 009 789 155 (**Company**) of 25 Lionel Road, Mount Waverley Victoria, Australia 3149, phone: +61(3) 9426 3400 and email: enquiries@orangepumps.com The benefits that you receive under this warranty are in addition to other rights and remedies that you have under law in relation to the Orange Pump product (**Product**) supplied to you. Specifically, our goods come with guarantees that cannot be excluded under the Australian Consumer Law. You are entitled to a replacement or refund for a major failure and for compensation for any other reasonably foreseeable loss or damage. You are also entitled to have the goods repaired or replaced if the goods fail to be of acceptable quality and the failure does not amount to a major failure.
2. The Company warrants, in accordance with and subject to the provisions of this warranty, that the Product will be free from defects in material and workmanship for a period of 12 months or 1,000 hours operation (which ever occurs first) (or other period specified in writing in any extended warranty product offered by the Company), from the date of purchase of new Products to the original purchaser at retail level, when used in the original installation.
3. The warranty is void if the Product is:
 - (1) not installed, housed and operated in accordance with the instructions supplied with the Product;
 - (2) used for a purpose other than for which it was designed;
 - (3) used for unreasonable periods, or under unreasonable conditions, or for periods or in conditions not intended by the Company;
 - (4) operated on voltages or frequencies other than indicated on the rating plate;
 - (5) modified or adjusted without the Company's prior written consent;
 - (6) serviced, modified or adjusted by a person not trained in the servicing, modification or adjustment of the Product;
 - (7) repaired using non-genuine spare parts or components (being parts or components not originally manufactured or imported into Australia by the Company);
 - (8) misused; not serviced at least annually, or as otherwise reasonably required for the proper operation of the Product (taking into account its workload and surroundings); subject to abuse; or not installed in accordance with any guidance or instructions issued by the Company;
 - (9) run in a dry condition, operated at high temperatures or outside its technical specifications.
- 3.2. This warranty does not cover loss or damage resulting from, or issues arising as a result of:
 - (1) the installation of the Product (i.e. the warranty applies to defects in workmanship in the Product only);
 - (2) fair wear and tear;
 - (3) electrical mains power supply issues; storms (including dust, thunder and power); flood; or infestation by insects or vermin;
 - (4) exposure to corrosive conditions;
 - (5) abrasion or corrosion resulting from the fluid pumped by the Product;
 - (6) accident or negligence (other than that of the Company);
 - (7) an incorrectly set voltage regulator; or
 - (8) any other force majeure.
4. In order to make a claim under this warranty, you must take the Product together with proof of purchase, model and serial number, to the place of purchase or your local Orange Pumps authorised dealer. A list of authorised dealers can be found at www.orangepumps.com.au You must also provide your name, address and phone number.
5. In respect of all valid warranty claims, the Company will repair the breakdown or failure, and replace any defective part, free of charge. However, you are responsible for all costs associated with making a claim, including costs associated with the transportation of the Product to and from your local dealer and to and from the Company, and de-installation and reinstallation. If the Company, in its absolute discretion, agrees to inspect a Product that is subject to a warranty claim by you onsite (or authorises one of its dealers to do so), you will be required to pay a labour and assessment charge of at least \$50/hour (including travel time) if the Company determines that the issue is not covered by this warranty.
6. Other than expressly set out in this warranty, and the warranties that are set out in the Australian Consumer Law (schedule 2 of the *Competition and Consumer Act 2010* (Cth) (and any other law), the Company:
 - (1) excludes all other warranties, guarantees and remedied with regard to the Products (including implied warranties and guarantees);
 - (2) has no liability (including liability in negligence and for consequential loss or damage) to you or any other person for any loss or damage (consequential or otherwise) however suffered or incurred: in relation to the Product; or caused by or resulting directly or indirectly from the Product or from any failure, breakdown, defect or deficiency of any nature in the Product; and
 - (3) is not liable to make any payment in connection with this warranty that exceeds the total price paid by you for the relevant Product.

Melbourne

25 Lionel Road,
Mount Waverley VIC 3149
Australia

Tel: 03 9426 3400
Fax: 03 9562 8616
sales@orangepumps.com

Perth

6/14 Stanhope Gardens,
Midvale WA 6056
Australia

Tel: 08 9250 2397
perth@orangepumps.com

